

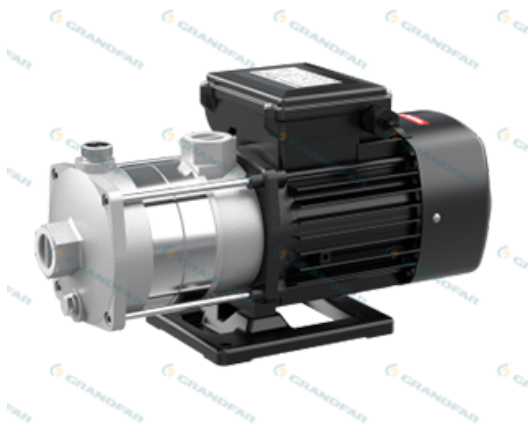


Компания ZHEJIANG GRANDFAR PUMP INDUSTRY CO.,LTD.

Номер телефона: +86-576-89890098

Дата создания: 2026-06-04

Модель: CHJ2-30



Серия CHJ - это многоступенчатые насосы из нержавеющей стали, ориентированные на корпус.

КОНСТРУКТИВНЫЕ ОСОБЕННОСТИ НАСОСА

Двигатель: двигатель из медной проволоки;
Механическое уплотнение: керамика/графит/EPDM;
Рабочее колесо: Нержавеющая сталь;
Средняя часть и корпус насоса: нержавеющая сталь.

ОСОБЕННОСТИ ДВИГАТЕЛЯ

Интегрированная конструкция двигателя и вала насоса; низкий уровень шума, высокая эффективность передачи; двигатель с воздушным охлаждением, полностью закрытая конструкция защиты; компактная структура и небольшой внешний размер.

ХАРАКТЕРИСТИКИ НАСОСА

Серия CHJ - это многоступенчатый насос из нержавеющей стали, ориентированный на корпус: Жидкостная часть изготовлена из SUS304. При обработке передовым сварочным оборудованием, термообработке, напряжение, вызванное торцевым разрезом пластины при растяжении и прессовании, устраняется, чтобы сделать высокую прочность, отсутствие деформации, длительный срок службы, безопасное и надежное использование; Применяемый тип механического уплотнения обеспечивает водонепроницаемость при длительной непрерывной работе. Материал рамы - алюминий; низкий уровень шума и вибрации, долговечность. Класс изоляции В, защита IPX55, непрерывная работа; однофазный с термopротектором от T1 для обеспечения безопасности и удобства.

МЕРЫ ПРЕДОСТОРОЖНОСТИ ПРИ ИСПОЛЬЗОВАНИИ НАСОСА

Насос может транспортировать минеральную воду, умягченную воду, чистую воду, чистую ои и другие легкие химические среды:

Средняя температура: низкотемпературный тип (-20°C~+70°C)

Нормальный тип температуры (+15°C~+70°C)

Высокотемпературный тип (+70°C~+104°C);

Температура окружающей среды: 0~50°C.

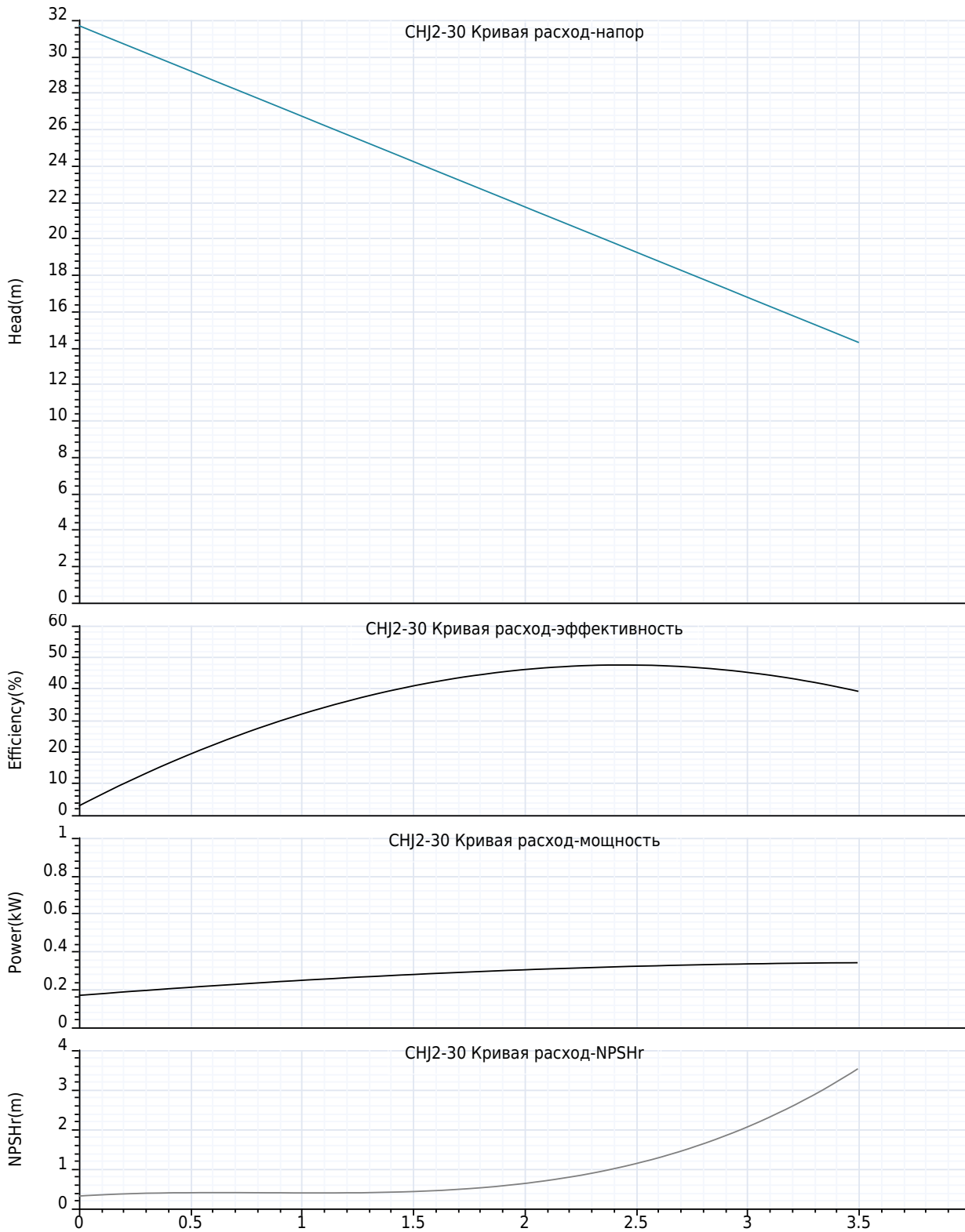


Компания ZHEJIANG GRANDFAR PUMP INDUSTRY CO.,LTD.

Номер телефона: +86-576-89890098

Дата создания: 2026-06-04

Модель: CHJ2-30





Компания ZHEJIANG GRANDFAR PUMP INDUSTRY CO.,LTD.

Номер телефона: +86-576-89890098

Дата создания: 2026-06-04

Модель: CHJ2-30

Технология:

Максимальный расход: 3.5 m³/h
Максимальный напор: 29 m
Номинальный расход: 2.0 m³/h

Установка:

Тип соединения: Нить
Номинальное давление: 10 bar
Размер входа: 1"
Размер на выходе: 1"

Материал:

Корпус насоса: нержавеющие стали
Рабочее колесо: нержавеющие стали
Уплотнение: Керамико-графит/EPDM

Температура окружающей среды:

Температура окружающей среды: 50°C

Двигатель:

Номер фазы двигателя: 1
Степень защиты: IP55
Класс изоляции: В
Мощность двигателя: 370 W
Скорость вращения: 2900 rpm
Частота мощности: 50 Hz
Номинальное напряжение: 220 V

Тип и температура жидкости:

Транспортируемая жидкость: Чистая вода
окружающая среда: -20°C ~ +70°C
Высокотемпературный тип: -20°C ~ 104°C
Низкотемпературный тип: -20°C ~ 70°C

Другие:

вес нетто: 9 Kg



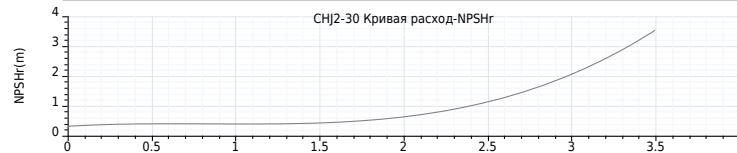
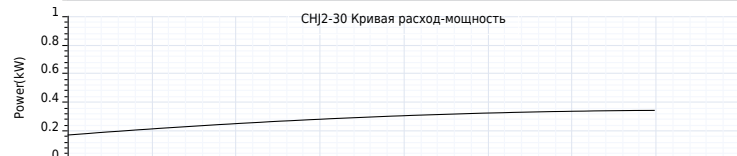
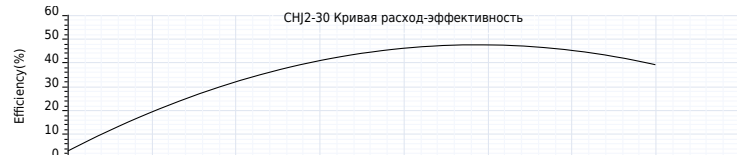
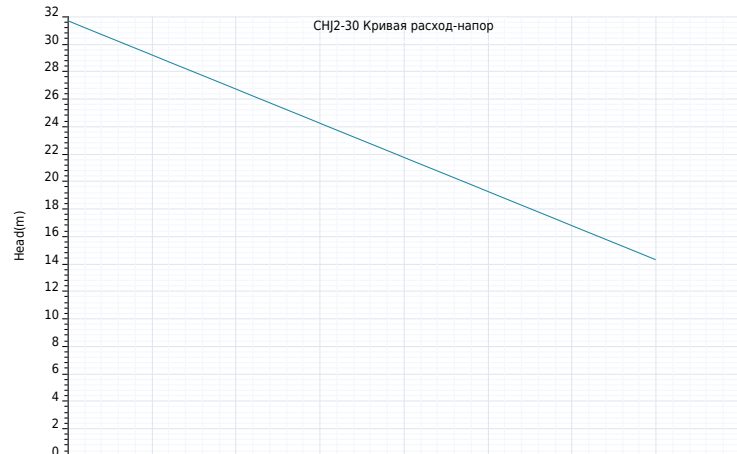
Компания ZHEJIANG GRANDFAR PUMP INDUSTRY CO.,LTD.

Номер телефона: +86-576-89890098

Дата создания: 2026-06-04

Модель: CHJ2-30

Пояснение	Числовое значение
Технология:	
Максимальный расход:	3.5 m³/h
Максимальный напор:	29 m
Номинальный расход:	2.0 m³/h
Установка:	
Тип соединения:	Нить
Номинальное давление:	10 bar
Размер входа:	1"
Размер на выходе:	1"
Материал:	
Корпус насоса:	нержавеющие стали
Рабочее колесо:	нержавеющие стали
Уплотнение:	Керамика-графит/EPDM
Температура окружающей среды:	
Температура окружающей среды:	50°C
Двигатель:	
Номер фазы двигателя:	1
Степень защиты:	IP55
Класс изоляции:	B
Мощность двигателя:	370 W
Скорость вращения:	2900 rpm
Частота питания:	50 Hz
Номинальное напряжение:	220 V
Тип и температура жидкости:	
Транспортируемая жидкость:	Чистая вода
окружающая среда:	-20°C ~ +70°C
Высокотемпературный тип:	-20°C ~ 104°C
Низкотемпературный тип:	-20°C ~ 70°C
Другие:	
вес нетто:	9 Kg



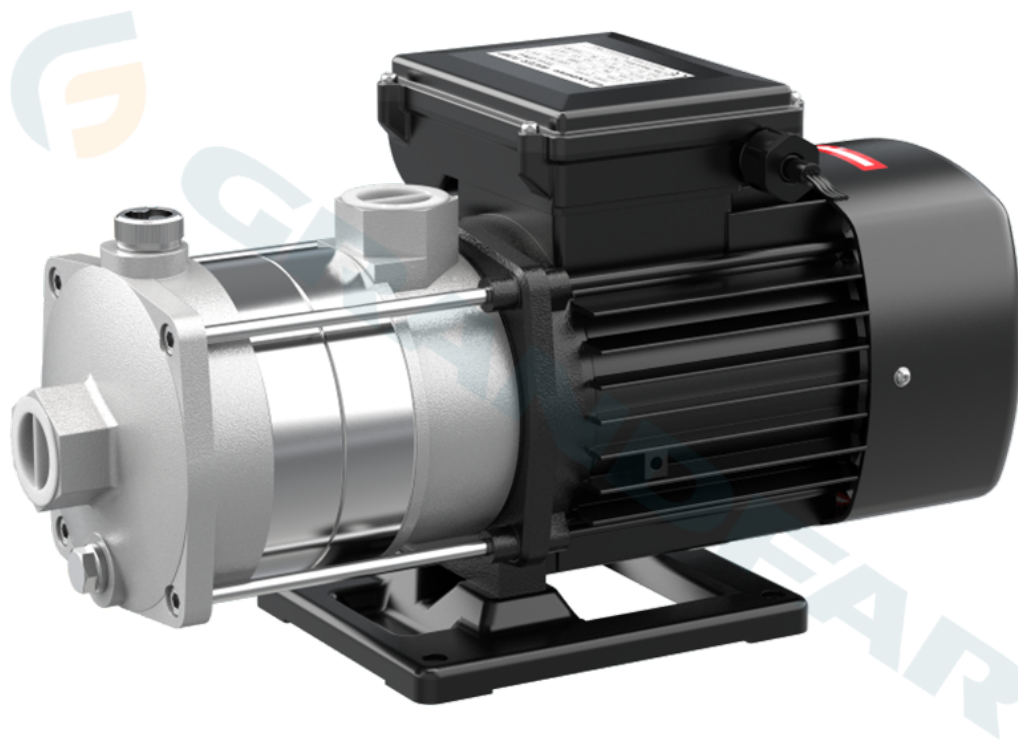


Компания ZHEJIANG GRANDFAR PUMP INDUSTRY
CO.,LTD.

Номер телефона: +86-576-89890098

Дата создания: 2026-06-04

Модель: CHJ2-30





Компания ZHEJIANG GRANDFAR PUMP INDUSTRY CO.,LTD.

Номер телефона: +86-576-89890098

Дата создания: 2026-06-04

Модель: CHJ2-30

GB/T 1804--H	CHJ2-30																																																																																																																																																																																																																																																																																										
<table border="1" style="font-size: 8px;"> <tr><td>0.5-5</td><td>±0.1</td></tr> <tr><td>5-30</td><td>±0.2</td></tr> <tr><td>30-120</td><td>±0.3</td></tr> <tr><td>120-400</td><td>±0.5</td></tr> <tr><td>400-1000</td><td>±0.8</td></tr> <tr><td>1000-2000</td><td>±1.0</td></tr> <tr><td>2000-4000</td><td>±1.5</td></tr> <tr><td>4000-10000</td><td>±2.0</td></tr> <tr><td>10000-20000</td><td>±3.0</td></tr> <tr><td>20000-40000</td><td>±5.0</td></tr> <tr><td>40000-100000</td><td>±8.0</td></tr> <tr><td>100000-200000</td><td>±12.0</td></tr> <tr><td>200000-400000</td><td>±20.0</td></tr> <tr><td>400000-1000000</td><td>±30.0</td></tr> <tr><td>1000000-2000000</td><td>±50.0</td></tr> <tr><td>2000000-4000000</td><td>±80.0</td></tr> <tr><td>4000000-10000000</td><td>±120.0</td></tr> <tr><td>10000000-20000000</td><td>±200.0</td></tr> <tr><td>20000000-40000000</td><td>±300.0</td></tr> <tr><td>40000000-100000000</td><td>±500.0</td></tr> <tr><td>100000000-200000000</td><td>±800.0</td></tr> <tr><td>200000000-400000000</td><td>±1200.0</td></tr> <tr><td>400000000-1000000000</td><td>±2000.0</td></tr> <tr><td>1000000000-2000000000</td><td>±3000.0</td></tr> <tr><td>2000000000-4000000000</td><td>±5000.0</td></tr> <tr><td>4000000000-10000000000</td><td>±8000.0</td></tr> <tr><td>10000000000-20000000000</td><td>±12000.0</td></tr> <tr><td>20000000000-40000000000</td><td>±20000.0</td></tr> <tr><td>40000000000-100000000000</td><td>±30000.0</td></tr> <tr><td>100000000000-200000000000</td><td>±50000.0</td></tr> <tr><td>200000000000-400000000000</td><td>±80000.0</td></tr> <tr><td>400000000000-1000000000000</td><td>±120000.0</td></tr> <tr><td>1000000000000-2000000000000</td><td>±200000.0</td></tr> <tr><td>2000000000000-4000000000000</td><td>±300000.0</td></tr> <tr><td>4000000000000-10000000000000</td><td>±500000.0</td></tr> <tr><td>10000000000000-20000000000000</td><td>±800000.0</td></tr> <tr><td>20000000000000-40000000000000</td><td>±1200000.0</td></tr> <tr><td>40000000000000-100000000000000</td><td>±2000000.0</td></tr> <tr><td>100000000000000-200000000000000</td><td>±3000000.0</td></tr> <tr><td>200000000000000-400000000000000</td><td>±5000000.0</td></tr> <tr><td>400000000000000-1000000000000000</td><td>±8000000.0</td></tr> <tr><td>1000000000000000-2000000000000000</td><td>±12000000.0</td></tr> <tr><td>2000000000000000-4000000000000000</td><td>±20000000.0</td></tr> <tr><td>4000000000000000-10000000000000000</td><td>±30000000.0</td></tr> <tr><td>10000000000000000-20000000000000000</td><td>±50000000.0</td></tr> <tr><td>20000000000000000-40000000000000000</td><td>±80000000.0</td></tr> <tr><td>40000000000000000-100000000000000000</td><td>±120000000.0</td></tr> <tr><td>100000000000000000-200000000000000000</td><td>±200000000.0</td></tr> <tr><td>200000000000000000-400000000000000000</td><td>±300000000.0</td></tr> <tr><td>400000000000000000-1000000000000000000</td><td>±500000000.0</td></tr> <tr><td>1000000000000000000-2000000000000000000</td><td>±800000000.0</td></tr> <tr><td>2000000000000000000-4000000000000000000</td><td>±1200000000.0</td></tr> <tr><td>4000000000000000000-10000000000000000000</td><td>±2000000000.0</td></tr> <tr><td>10000000000000000000-20000000000000000000</td><td>±3000000000.0</td></tr> <tr><td>20000000000000000000-40000000000000000000</td><td>±5000000000.0</td></tr> <tr><td>40000000000000000000-100000000000000000000</td><td>±8000000000.0</td></tr> <tr><td>100000000000000000000-200000000000000000000</td><td>±12000000000.0</td></tr> <tr><td>200000000000000000000-400000000000000000000</td><td>±20000000000.0</td></tr> <tr><td>400000000000000000000-1000000000000000000000</td><td>±30000000000.0</td></tr> <tr><td>1000000000000000000000-2000000000000000000000</td><td>±50000000000.0</td></tr> <tr><td>2000000000000000000000-4000000000000000000000</td><td>±80000000000.0</td></tr> <tr><td>4000000000000000000000-10000000000000000000000</td><td>±120000000000.0</td></tr> <tr><td>10000000000000000000000-20000000000000000000000</td><td>±200000000000.0</td></tr> <tr><td>20000000000000000000000-40000000000000000000000</td><td>±300000000000.0</td></tr> <tr><td>40000000000000000000000-100000000000000000000000</td><td>±500000000000.0</td></tr> <tr><td>100000000000000000000000-200000000000000000000000</td><td>±800000000000.0</td></tr> <tr><td>200000000000000000000000-400000000000000000000000</td><td>±1200000000000.0</td></tr> <tr><td>400000000000000000000000-1000000000000000000000000</td><td>±2000000000000.0</td></tr> <tr><td>1000000000000000000000000-2000000000000000000000000</td><td>±3000000000000.0</td></tr> <tr><td>2000000000000000000000000-4000000000000000000000000</td><td>±5000000000000.0</td></tr> <tr><td>4000000000000000000000000-10000000000000000000000000</td><td>±8000000000000.0</td></tr> <tr><td>10000000000000000000000000-20000000000000000000000000</td><td>±12000000000000.0</td></tr> <tr><td>20000000000000000000000000-40000000000000000000000000</td><td>±20000000000000.0</td></tr> <tr><td>40000000000000000000000000-100000000000000000000000000</td><td>±30000000000000.0</td></tr> <tr><td>100000000000000000000000000-200000000000000000000000000</td><td>±50000000000000.0</td></tr> <tr><td>200000000000000000000000000-400000000000000000000000000</td><td>±80000000000000.0</td></tr> <tr><td>400000000000000000000000000-1000000000000000000000000000</td><td>±120000000000000.0</td></tr> <tr><td>1000000000000000000000000000-2000000000000000000000000000</td><td>±200000000000000.0</td></tr> <tr><td>2000000000000000000000000000-4000000000000000000000000000</td><td>±300000000000000.0</td></tr> <tr><td>4000000000000000000000000000-10000000000000000000000000000</td><td>±500000000000000.0</td></tr> <tr><td>10000000000000000000000000000-20000000000000000000000000000</td><td>±800000000000000.0</td></tr> <tr><td>20000000000000000000000000000-40000000000000000000000000000</td><td>±1200000000000000.0</td></tr> <tr><td>40000000000000000000000000000-100000000000000000000000000000</td><td>±2000000000000000.0</td></tr> <tr><td>100000000000000000000000000000-200000000000000000000000000000</td><td>±3000000000000000.0</td></tr> <tr><td>200000000000000000000000000000-400000000000000000000000000000</td><td>±5000000000000000.0</td></tr> <tr><td>400000000000000000000000000000-1000000000000000000000000000000</td><td>±8000000000000000.0</td></tr> <tr><td>1000000000000000000000000000000-2000000000000000000000000000000</td><td>±12000000000000000.0</td></tr> <tr><td>2000000000000000000000000000000-4000000000000000000000000000000</td><td>±20000000000000000.0</td></tr> <tr><td>4000000000000000000000000000000-10000000000000000000000000000000</td><td>±30000000000000000.0</td></tr> <tr><td>10000000000000000000000000000000-20000000000000000000000000000000</td><td>±50000000000000000.0</td></tr> <tr><td>20000000000000000000000000000000-40000000000000000000000000000000</td><td>±80000000000000000.0</td></tr> <tr><td>40000000000000000000000000000000-100000000000000000000000000000000</td><td>±120000000000000000.0</td></tr> <tr><td>100000000000000000000000000000000-200000000000000000000000000000000</td><td>±200000000000000000.0</td></tr> <tr><td>200000000000000000000000000000000-400000000000000000000000000000000</td><td>±300000000000000000.0</td></tr> <tr><td>400000000000000000000000000000000-1000000000000000000000000000000000</td><td>±500000000000000000.0</td></tr> <tr><td>1000000000000000000000000000000000-2000000000000000000000000000000000</td><td>±800000000000000000.0</td></tr> <tr><td>2000000000000000000000000000000000-4000000000000000000000000000000000</td><td>±1200000000000000000.0</td></tr> <tr><td>4000000000000000000000000000000000-10000000000000000000000000000000000</td><td>±2000000000000000000.0</td></tr> <tr><td>10000000000000000000000000000000000-20000000000000000000000000000000000</td><td>±3000000000000000000.0</td></tr> <tr><td>20000000000000000000000000000000000-40000000000000000000000000000000000</td><td>±5000000000000000000.0</td></tr> <tr><td>40000000000000000000000000000000000-100000000000000000000000000000000000</td><td>±8000000000000000000.0</td></tr> <tr><td>100000000000000000000000000000000000-200000000000000000000000000000000000</td><td>±12000000000000000000.0</td></tr> <tr><td>200000000000000000000000000000000000-400000000000000000000000000000000000</td><td>±20000000000000000000.0</td></tr> <tr><td>400000000000000000000000000000000000-1000000000000000000000000000000000000</td><td>±30000000000000000000.0</td></tr> <tr><td>1000000000000000000000000000000000000-2000000000000000000000000000000000000</td><td>±50000000000000000000.0</td></tr> <tr><td>2000000000000000000000000000000000000-4000000000000000000000000000000000000</td><td>±80000000000000000000.0</td></tr> <tr><td>4000000000000000000000000000000000000-10000000000000000000000000000000000000</td><td>±120000000000000000000.0</td></tr> <tr><td>10000000000000000000000000000000000000-20000000000000000000000000000000000000</td><td>±200000000000000000000.0</td></tr> <tr><td>20000000000000000000000000000000000000-40000000000000000000000000000000000000</td><td>±300000000000000000000.0</td></tr> <tr><td>40000000000000000000000000000000000000-100000000000000000000000000000000000000</td><td>±500000000000000000000.0</td></tr> <tr><td>100000000000000000000000000000000000000-200000000000000000000000000000000000000</td><td>±800000000000000000000.0</td></tr> <tr><td>200000000000000000000000000000000000000-400000000000000000000000000000000000000</td><td>±1200000000000000000000.0</td></tr> <tr><td>400000000000000000000000000000000000000-1000000000000000000000000000000000000000</td><td>±2000000000000000000000.0</td></tr> <tr><td>1000000000000000000000000000000000000000-2000000000000000000000000000000000000000</td><td>±3000000000000000000000.0</td></tr> <tr><td>2000000000000000000000000000000000000000-4000000000000000000000000000000000000000</td><td>±5000000000000000000000.0</td></tr> <tr><td>4000000000000000000000000000000000000000-100</td><td>±8000000000000000000000.0</td></tr> <tr><td>100-200</td><td>±12000000000000000000000.0</td></tr> <tr><td>200-400</td><td>±20000000000000000000000.0</td></tr> <tr><td>400-1000</td><td>±30000000000000000000000.0</td></tr> <tr><td>1000-2000</td><td>±50000000000000000000000.0</td></tr> <tr><td>2000-4000</td><td>±80000000000000000000000.0</td></tr> <tr><td>4000-100</td><td>±120000000000000000000000.0</td></tr> <tr><td>100-200</td><td>±200000000000000000000000.0</td></tr> <tr><td>200-400</td><td>±300000000000000000000000.0</td></tr> <tr><td>400-1000</td><td>±500000000000000000000000.0</td></tr> <tr><td>1000-2000</td><td>±800000000000000000000000.0</td></tr> <tr><td>2000-4000</td><td>±1200000000000000000000000.0</td></tr> <tr><td>4000-100</td><td>±2000000000000000000000000.0</td></tr> <tr><td>100-200</td><td>±3000000000000000000000000.0</td></tr> <tr><td>200-400</td><td>±5000000000000000000000000.0</td></tr> <tr><td>400-1000</td><td>±8000000000000000000000000.0</td></tr> <tr><td>1000-2000</td><td>±12000000000000000000000000.0</td></tr> <tr><td>2000-4000</td><td>±20000000000000000000000000.0</td></tr> <tr><td>4000-100</td><td>±30000000000000000000000000.0</td></tr> <tr><td>100-200</td><td>±50000000000000000000000000.0</td></tr> <tr><td>200-400</td><td>±80000000000000000000000000.0</td></tr> <tr><td>400-1000</td><td>±120000000000000000000000000.0</td></tr> <tr><td>1000-2000</td><td>±200000000000000000000000000.0</td></tr> <tr><td>2000-4000</td><td>±300000000000000000000000000.0</td></tr> <tr><td>4000-100</td><td>±500000000000000000000000000.0</td></tr> <tr><td>100-200</td><td>±800000000000000000000000000.0</td></tr> <tr><td>200-400</</td></tr></table>	0.5-5			±0.1	5-30	±0.2	30-120	±0.3	120-400	±0.5	400-1000	±0.8	1000-2000	±1.0	2000-4000	±1.5	4000-10000	±2.0	10000-20000	±3.0	20000-40000	±5.0	40000-100000	±8.0	100000-200000	±12.0	200000-400000	±20.0	400000-1000000	±30.0	1000000-2000000	±50.0	2000000-4000000	±80.0	4000000-10000000	±120.0	10000000-20000000	±200.0	20000000-40000000	±300.0	40000000-100000000	±500.0	100000000-200000000	±800.0	200000000-400000000	±1200.0	400000000-1000000000	±2000.0	1000000000-2000000000	±3000.0	2000000000-4000000000	±5000.0	4000000000-10000000000	±8000.0	10000000000-20000000000	±12000.0	20000000000-40000000000	±20000.0	40000000000-100000000000	±30000.0	100000000000-200000000000	±50000.0	200000000000-400000000000	±80000.0	400000000000-1000000000000	±120000.0	1000000000000-2000000000000	±200000.0	2000000000000-4000000000000	±300000.0	4000000000000-10000000000000	±500000.0	10000000000000-20000000000000	±800000.0	20000000000000-40000000000000	±1200000.0	40000000000000-100000000000000	±2000000.0	100000000000000-200000000000000	±3000000.0	200000000000000-400000000000000	±5000000.0	400000000000000-1000000000000000	±8000000.0	1000000000000000-2000000000000000	±12000000.0	2000000000000000-4000000000000000	±20000000.0	4000000000000000-10000000000000000	±30000000.0	10000000000000000-20000000000000000	±50000000.0	20000000000000000-40000000000000000	±80000000.0	40000000000000000-100000000000000000	±120000000.0	100000000000000000-200000000000000000	±200000000.0	200000000000000000-400000000000000000	±300000000.0	400000000000000000-1000000000000000000	±500000000.0	1000000000000000000-2000000000000000000	±800000000.0	2000000000000000000-4000000000000000000	±1200000000.0	4000000000000000000-10000000000000000000	±2000000000.0	10000000000000000000-20000000000000000000	±3000000000.0	20000000000000000000-40000000000000000000	±5000000000.0	40000000000000000000-100000000000000000000	±8000000000.0	100000000000000000000-200000000000000000000	±12000000000.0	200000000000000000000-400000000000000000000	±20000000000.0	400000000000000000000-1000000000000000000000	±30000000000.0	1000000000000000000000-2000000000000000000000	±50000000000.0	2000000000000000000000-4000000000000000000000	±80000000000.0	4000000000000000000000-10000000000000000000000	±120000000000.0	10000000000000000000000-20000000000000000000000	±200000000000.0	20000000000000000000000-40000000000000000000000	±300000000000.0	40000000000000000000000-100000000000000000000000	±500000000000.0	100000000000000000000000-200000000000000000000000	±800000000000.0	200000000000000000000000-400000000000000000000000	±1200000000000.0	400000000000000000000000-1000000000000000000000000	±2000000000000.0	1000000000000000000000000-2000000000000000000000000	±3000000000000.0	2000000000000000000000000-4000000000000000000000000	±5000000000000.0	4000000000000000000000000-10000000000000000000000000	±8000000000000.0	10000000000000000000000000-20000000000000000000000000	±12000000000000.0	20000000000000000000000000-40000000000000000000000000	±20000000000000.0	40000000000000000000000000-100000000000000000000000000	±30000000000000.0	100000000000000000000000000-200000000000000000000000000	±50000000000000.0	200000000000000000000000000-400000000000000000000000000	±80000000000000.0	400000000000000000000000000-1000000000000000000000000000	±120000000000000.0	1000000000000000000000000000-2000000000000000000000000000	±200000000000000.0	2000000000000000000000000000-4000000000000000000000000000	±300000000000000.0	4000000000000000000000000000-10000000000000000000000000000	±500000000000000.0	10000000000000000000000000000-20000000000000000000000000000	±800000000000000.0	20000000000000000000000000000-40000000000000000000000000000	±1200000000000000.0	40000000000000000000000000000-100000000000000000000000000000	±2000000000000000.0	100000000000000000000000000000-200000000000000000000000000000	±3000000000000000.0	200000000000000000000000000000-400000000000000000000000000000	±5000000000000000.0	400000000000000000000000000000-1000000000000000000000000000000	±8000000000000000.0	1000000000000000000000000000000-2000000000000000000000000000000	±12000000000000000.0	2000000000000000000000000000000-4000000000000000000000000000000	±20000000000000000.0	4000000000000000000000000000000-10000000000000000000000000000000	±30000000000000000.0	10000000000000000000000000000000-20000000000000000000000000000000	±50000000000000000.0	20000000000000000000000000000000-40000000000000000000000000000000	±80000000000000000.0	40000000000000000000000000000000-100000000000000000000000000000000	±120000000000000000.0	100000000000000000000000000000000-200000000000000000000000000000000	±200000000000000000.0	200000000000000000000000000000000-400000000000000000000000000000000	±300000000000000000.0	400000000000000000000000000000000-1000000000000000000000000000000000	±500000000000000000.0	1000000000000000000000000000000000-2000000000000000000000000000000000	±800000000000000000.0	2000000000000000000000000000000000-4000000000000000000000000000000000	±1200000000000000000.0	4000000000000000000000000000000000-10000000000000000000000000000000000	±2000000000000000000.0	10000000000000000000000000000000000-20000000000000000000000000000000000	±3000000000000000000.0	20000000000000000000000000000000000-40000000000000000000000000000000000	±5000000000000000000.0	40000000000000000000000000000000000-100000000000000000000000000000000000	±8000000000000000000.0	100000000000000000000000000000000000-200000000000000000000000000000000000	±12000000000000000000.0	200000000000000000000000000000000000-400000000000000000000000000000000000	±20000000000000000000.0	400000000000000000000000000000000000-1000000000000000000000000000000000000	±30000000000000000000.0	1000000000000000000000000000000000000-2000000000000000000000000000000000000	±50000000000000000000.0	2000000000000000000000000000000000000-4000000000000000000000000000000000000	±80000000000000000000.0	4000000000000000000000000000000000000-10000000000000000000000000000000000000	±120000000000000000000.0	10000000000000000000000000000000000000-20000000000000000000000000000000000000	±200000000000000000000.0	20000000000000000000000000000000000000-40000000000000000000000000000000000000	±300000000000000000000.0	40000000000000000000000000000000000000-100000000000000000000000000000000000000	±500000000000000000000.0	100000000000000000000000000000000000000-200000000000000000000000000000000000000	±800000000000000000000.0	200000000000000000000000000000000000000-400000000000000000000000000000000000000	±1200000000000000000000.0	400000000000000000000000000000000000000-1000000000000000000000000000000000000000	±2000000000000000000000.0	1000000000000000000000000000000000000000-2000000000000000000000000000000000000000	±3000000000000000000000.0	2000000000000000000000000000000000000000-4000000000000000000000000000000000000000	±5000000000000000000000.0	4000000000000000000000000000000000000000-100	±8000000000000000000000.0	100-200	±12000000000000000000000.0	200-400	±20000000000000000000000.0	400-1000	±30000000000000000000000.0	1000-2000	±50000000000000000000000.0	2000-4000	±80000000000000000000000.0	4000-100	±120000000000000000000000.0	100-200	±200000000000000000000000.0	200-400	±300000000000000000000000.0	400-1000	±500000000000000000000000.0	1000-2000	±800000000000000000000000.0	2000-4000	±1200000000000000000000000.0	4000-100	±2000000000000000000000000.0	100-200	±3000000000000000000000000.0	200-400	±5000000000000000000000000.0	400-1000	±8000000000000000000000000.0	1000-2000	±12000000000000000000000000.0	2000-4000	±20000000000000000000000000.0	4000-100	±30000000000000000000000000.0	100-200	±50000000000000000000000000.0	200-400	±80000000000000000000000000.0	400-1000	±120000000000000000000000000.0	1000-2000	±200000000000000000000000000.0	2000-4000	±300000000000000000000000000.0	4000-100	±500000000000000000000000000.0	100-200
0.5-5	±0.1																																																																																																																																																																																																																																																																																										
5-30	±0.2																																																																																																																																																																																																																																																																																										
30-120	±0.3																																																																																																																																																																																																																																																																																										
120-400	±0.5																																																																																																																																																																																																																																																																																										
400-1000	±0.8																																																																																																																																																																																																																																																																																										
1000-2000	±1.0																																																																																																																																																																																																																																																																																										
2000-4000	±1.5																																																																																																																																																																																																																																																																																										
4000-10000	±2.0																																																																																																																																																																																																																																																																																										
10000-20000	±3.0																																																																																																																																																																																																																																																																																										
20000-40000	±5.0																																																																																																																																																																																																																																																																																										
40000-100000	±8.0																																																																																																																																																																																																																																																																																										
100000-200000	±12.0																																																																																																																																																																																																																																																																																										
200000-400000	±20.0																																																																																																																																																																																																																																																																																										
400000-1000000	±30.0																																																																																																																																																																																																																																																																																										
1000000-2000000	±50.0																																																																																																																																																																																																																																																																																										
2000000-4000000	±80.0																																																																																																																																																																																																																																																																																										
4000000-10000000	±120.0																																																																																																																																																																																																																																																																																										
10000000-20000000	±200.0																																																																																																																																																																																																																																																																																										
20000000-40000000	±300.0																																																																																																																																																																																																																																																																																										
40000000-100000000	±500.0																																																																																																																																																																																																																																																																																										
100000000-200000000	±800.0																																																																																																																																																																																																																																																																																										
200000000-400000000	±1200.0																																																																																																																																																																																																																																																																																										
400000000-1000000000	±2000.0																																																																																																																																																																																																																																																																																										
1000000000-2000000000	±3000.0																																																																																																																																																																																																																																																																																										
2000000000-4000000000	±5000.0																																																																																																																																																																																																																																																																																										
4000000000-10000000000	±8000.0																																																																																																																																																																																																																																																																																										
10000000000-20000000000	±12000.0																																																																																																																																																																																																																																																																																										
20000000000-40000000000	±20000.0																																																																																																																																																																																																																																																																																										
40000000000-100000000000	±30000.0																																																																																																																																																																																																																																																																																										
100000000000-200000000000	±50000.0																																																																																																																																																																																																																																																																																										
200000000000-400000000000	±80000.0																																																																																																																																																																																																																																																																																										
400000000000-1000000000000	±120000.0																																																																																																																																																																																																																																																																																										
1000000000000-2000000000000	±200000.0																																																																																																																																																																																																																																																																																										
2000000000000-4000000000000	±300000.0																																																																																																																																																																																																																																																																																										
4000000000000-10000000000000	±500000.0																																																																																																																																																																																																																																																																																										
10000000000000-20000000000000	±800000.0																																																																																																																																																																																																																																																																																										
20000000000000-40000000000000	±1200000.0																																																																																																																																																																																																																																																																																										
40000000000000-100000000000000	±2000000.0																																																																																																																																																																																																																																																																																										
100000000000000-200000000000000	±3000000.0																																																																																																																																																																																																																																																																																										
200000000000000-400000000000000	±5000000.0																																																																																																																																																																																																																																																																																										
400000000000000-1000000000000000	±8000000.0																																																																																																																																																																																																																																																																																										
1000000000000000-2000000000000000	±12000000.0																																																																																																																																																																																																																																																																																										
2000000000000000-4000000000000000	±20000000.0																																																																																																																																																																																																																																																																																										
4000000000000000-10000000000000000	±30000000.0																																																																																																																																																																																																																																																																																										
10000000000000000-20000000000000000	±50000000.0																																																																																																																																																																																																																																																																																										
20000000000000000-40000000000000000	±80000000.0																																																																																																																																																																																																																																																																																										
40000000000000000-100000000000000000	±120000000.0																																																																																																																																																																																																																																																																																										
100000000000000000-200000000000000000	±200000000.0																																																																																																																																																																																																																																																																																										
200000000000000000-400000000000000000	±300000000.0																																																																																																																																																																																																																																																																																										
400000000000000000-1000000000000000000	±500000000.0																																																																																																																																																																																																																																																																																										
1000000000000000000-2000000000000000000	±800000000.0																																																																																																																																																																																																																																																																																										
2000000000000000000-4000000000000000000	±1200000000.0																																																																																																																																																																																																																																																																																										
4000000000000000000-10000000000000000000	±2000000000.0																																																																																																																																																																																																																																																																																										
10000000000000000000-20000000000000000000	±3000000000.0																																																																																																																																																																																																																																																																																										
20000000000000000000-40000000000000000000	±5000000000.0																																																																																																																																																																																																																																																																																										
40000000000000000000-100000000000000000000	±8000000000.0																																																																																																																																																																																																																																																																																										
100000000000000000000-200000000000000000000	±12000000000.0																																																																																																																																																																																																																																																																																										
200000000000000000000-400000000000000000000	±20000000000.0																																																																																																																																																																																																																																																																																										
400000000000000000000-1000000000000000000000	±30000000000.0																																																																																																																																																																																																																																																																																										
1000000000000000000000-2000000000000000000000	±50000000000.0																																																																																																																																																																																																																																																																																										
2000000000000000000000-4000000000000000000000	±80000000000.0																																																																																																																																																																																																																																																																																										
4000000000000000000000-10000000000000000000000	±120000000000.0																																																																																																																																																																																																																																																																																										
10000000000000000000000-20000000000000000000000	±200000000000.0																																																																																																																																																																																																																																																																																										
20000000000000000000000-40000000000000000000000	±300000000000.0																																																																																																																																																																																																																																																																																										
40000000000000000000000-100000000000000000000000	±500000000000.0																																																																																																																																																																																																																																																																																										
100000000000000000000000-200000000000000000000000	±800000000000.0																																																																																																																																																																																																																																																																																										
200000000000000000000000-400000000000000000000000	±1200000000000.0																																																																																																																																																																																																																																																																																										
400000000000000000000000-1000000000000000000000000	±2000000000000.0																																																																																																																																																																																																																																																																																										
1000000000000000000000000-2000000000000000000000000	±3000000000000.0																																																																																																																																																																																																																																																																																										
2000000000000000000000000-4000000000000000000000000	±5000000000000.0																																																																																																																																																																																																																																																																																										
4000000000000000000000000-10000000000000000000000000	±8000000000000.0																																																																																																																																																																																																																																																																																										
10000000000000000000000000-20000000000000000000000000	±12000000000000.0																																																																																																																																																																																																																																																																																										
20000000000000000000000000-40000000000000000000000000	±20000000000000.0																																																																																																																																																																																																																																																																																										
40000000000000000000000000-100000000000000000000000000	±30000000000000.0																																																																																																																																																																																																																																																																																										
100000000000000000000000000-200000000000000000000000000	±50000000000000.0																																																																																																																																																																																																																																																																																										
200000000000000000000000000-400000000000000000000000000	±80000000000000.0																																																																																																																																																																																																																																																																																										
400000000000000000000000000-1000000000000000000000000000	±120000000000000.0																																																																																																																																																																																																																																																																																										
1000000000000000000000000000-2000000000000000000000000000	±200000000000000.0																																																																																																																																																																																																																																																																																										
2000000000000000000000000000-4000000000000000000000000000	±300000000000000.0																																																																																																																																																																																																																																																																																										
4000000000000000000000000000-10000000000000000000000000000	±500000000000000.0																																																																																																																																																																																																																																																																																										
10000000000000000000000000000-20000000000000000000000000000	±800000000000000.0																																																																																																																																																																																																																																																																																										
20000000000000000000000000000-40000000000000000000000000000	±1200000000000000.0																																																																																																																																																																																																																																																																																										
40000000000000000000000000000-100000000000000000000000000000	±2000000000000000.0																																																																																																																																																																																																																																																																																										
100000000000000000000000000000-200000000000000000000000000000	±3000000000000000.0																																																																																																																																																																																																																																																																																										
200000000000000000000000000000-400000000000000000000000000000	±5000000000000000.0																																																																																																																																																																																																																																																																																										
400000000000000000000000000000-1000000000000000000000000000000	±8000000000000000.0																																																																																																																																																																																																																																																																																										
1000000000000000000000000000000-2000000000000000000000000000000	±12000000000000000.0																																																																																																																																																																																																																																																																																										
2000000000000000000000000000000-4000000000000000000000000000000	±20000000000000000.0																																																																																																																																																																																																																																																																																										
4000000000000000000000000000000-10000000000000000000000000000000	±30000000000000000.0																																																																																																																																																																																																																																																																																										
10000000000000000000000000000000-20000000000000000000000000000000	±50000000000000000.0																																																																																																																																																																																																																																																																																										
20000000000000000000000000000000-40000000000000000000000000000000	±80000000000000000.0																																																																																																																																																																																																																																																																																										
40000000000000000000000000000000-100000000000000000000000000000000	±120000000000000000.0																																																																																																																																																																																																																																																																																										
100000000000000000000000000000000-200000000000000000000000000000000	±200000000000000000.0																																																																																																																																																																																																																																																																																										
200000000000000000000000000000000-400000000000000000000000000000000	±300000000000000000.0																																																																																																																																																																																																																																																																																										
400000000000000000000000000000000-1000000000000000000000000000000000	±500000000000000000.0																																																																																																																																																																																																																																																																																										
1000000000000000000000000000000000-2000000000000000000000000000000000	±800000000000000000.0																																																																																																																																																																																																																																																																																										
2000000000000000000000000000000000-4000000000000000000000000000000000	±1200000000000000000.0																																																																																																																																																																																																																																																																																										
4000000000000000000000000000000000-10000000000000000000000000000000000	±2000000000000000000.0																																																																																																																																																																																																																																																																																										
10000000000000000000000000000000000-20000000000000000000000000000000000	±3000000000000000000.0																																																																																																																																																																																																																																																																																										
20000000000000000000000000000000000-40000000000000000000000000000000000	±5000000000000000000.0																																																																																																																																																																																																																																																																																										
40000000000000000000000000000000000-100000000000000000000000000000000000	±8000000000000000000.0																																																																																																																																																																																																																																																																																										
100000000000000000000000000000000000-200000000000000000000000000000000000	±12000000000000000000.0																																																																																																																																																																																																																																																																																										
200000000000000000000000000000000000-400000000000000000000000000000000000	±20000000000000000000.0																																																																																																																																																																																																																																																																																										
400000000000000000000000000000000000-1000000000000000000000000000000000000	±30000000000000000000.0																																																																																																																																																																																																																																																																																										
1000000000000000000000000000000000000-2000000000000000000000000000000000000	±50000000000000000000.0																																																																																																																																																																																																																																																																																										
2000000000000000000000000000000000000-4000000000000000000000000000000000000	±80000000000000000000.0																																																																																																																																																																																																																																																																																										
4000000000000000000000000000000000000-10000000000000000000000000000000000000	±120000000000000000000.0																																																																																																																																																																																																																																																																																										
10000000000000000000000000000000000000-20000000000000000000000000000000000000	±200000000000000000000.0																																																																																																																																																																																																																																																																																										
20000000000000000000000000000000000000-40000000000000000000000000000000000000	±300000000000000000000.0																																																																																																																																																																																																																																																																																										
40000000000000000000000000000000000000-100000000000000000000000000000000000000	±500000000000000000000.0																																																																																																																																																																																																																																																																																										
100000000000000000000000000000000000000-200000000000000000000000000000000000000	±800000000000000000000.0																																																																																																																																																																																																																																																																																										
200000000000000000000000000000000000000-400000000000000000000000000000000000000	±1200000000000000000000.0																																																																																																																																																																																																																																																																																										
400000000000000000000000000000000000000-1000000000000000000000000000000000000000	±2000000000000000000000.0																																																																																																																																																																																																																																																																																										
1000000000000000000000000000000000000000-2000000000000000000000000000000000000000	±3000000000000000000000.0																																																																																																																																																																																																																																																																																										
2000000000000000000000000000000000000000-4000000000000000000000000000000000000000	±5000000000000000000000.0																																																																																																																																																																																																																																																																																										
4000000000000000000000000000000000000000-100	±8000000000000000000000.0																																																																																																																																																																																																																																																																																										
100-200	±12000000000000000000000.0																																																																																																																																																																																																																																																																																										
200-400	±20000000000000000000000.0																																																																																																																																																																																																																																																																																										
400-1000	±30000000000000000000000.0																																																																																																																																																																																																																																																																																										
1000-2000	±50000000000000000000000.0																																																																																																																																																																																																																																																																																										
2000-4000	±80000000000000000000000.0																																																																																																																																																																																																																																																																																										
4000-100	±120000000000000000000000.0																																																																																																																																																																																																																																																																																										
100-200	±200000000000000000000000.0																																																																																																																																																																																																																																																																																										
200-400	±300000000000000000000000.0																																																																																																																																																																																																																																																																																										
400-1000	±500000000000000000000000.0																																																																																																																																																																																																																																																																																										
1000-2000	±800000000000000000000000.0																																																																																																																																																																																																																																																																																										
2000-4000	±1200000000000000000000000.0																																																																																																																																																																																																																																																																																										
4000-100	±2000000000000000000000000.0																																																																																																																																																																																																																																																																																										
100-200	±3000000000000000000000000.0																																																																																																																																																																																																																																																																																										
200-400	±5000000000000000000000000.0																																																																																																																																																																																																																																																																																										
400-1000	±8000000000000000000000000.0																																																																																																																																																																																																																																																																																										
1000-2000	±12000000000000000000000000.0																																																																																																																																																																																																																																																																																										
2000-4000	±20000000000000000000000000.0																																																																																																																																																																																																																																																																																										
4000-100	±30000000000000000000000000.0																																																																																																																																																																																																																																																																																										
100-200	±50000000000000000000000000.0																																																																																																																																																																																																																																																																																										
200-400	±80000000000000000000000000.0																																																																																																																																																																																																																																																																																										
400-1000	±120000000000000000000000000.0																																																																																																																																																																																																																																																																																										
1000-2000	±200000000000000000000000000.0																																																																																																																																																																																																																																																																																										
2000-4000	±300000000000000000000000000.0																																																																																																																																																																																																																																																																																										
4000-100	±500000000000000000000000000.0																																																																																																																																																																																																																																																																																										
100-200	±800000000000000000000000000.0																																																																																																																																																																																																																																																																																										
200-400</																																																																																																																																																																																																																																																																																											



Компания ZHEJIANG GRANDFAR PUMP INDUSTRY CO.,LTD.

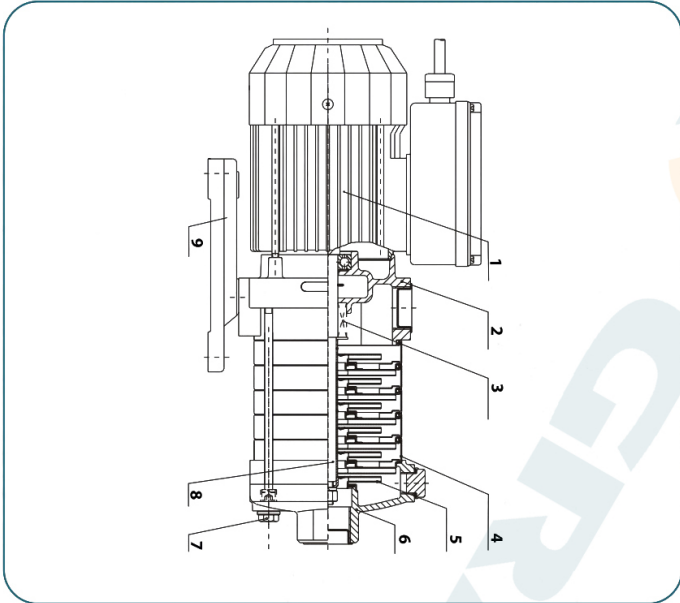
Создано :

Номер телефона: +86-576-89890098:

Дата создания: 2026-06-04

INTRODUCTION: ПРОДУКТ ПАРАМЕТЕРS

Модель: CHJ:



POS. COMPONENT	CONSTRUCTION CHARACTERISTICS
1 MOTOR	Copper wire motor with thermal protector
2 OUTLET SECTION	Stainless steel
3 MECHANICAL SEAL	Ceramic/graphite/EPDM
4 MIDDLE SECTION	Stainless steel
5 IMPELLER	Stainless steel
6 INLET SECTION	Stainless steel
7 PLUG	Stainless steel
8 SHAFT	Stainless steel
9 BASE FRAME	Cast iron