

Limit switch **LSAR7-311**series



Features & Application

- ◆ Adopt outer shell with intensive plastic and sealed construction, better mechanical strength and water-proof and oil-proof;
- ◆ Side fixed form and swift contact;
- ◆ Variety of levers.
- ◆ Widely used in mechanical equipment, automatic machine and instrument, electro motion tool etc.

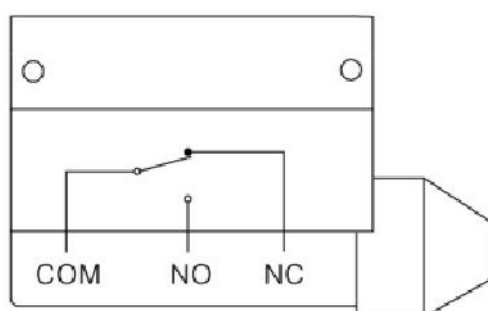
Model specification

LSAR7-311

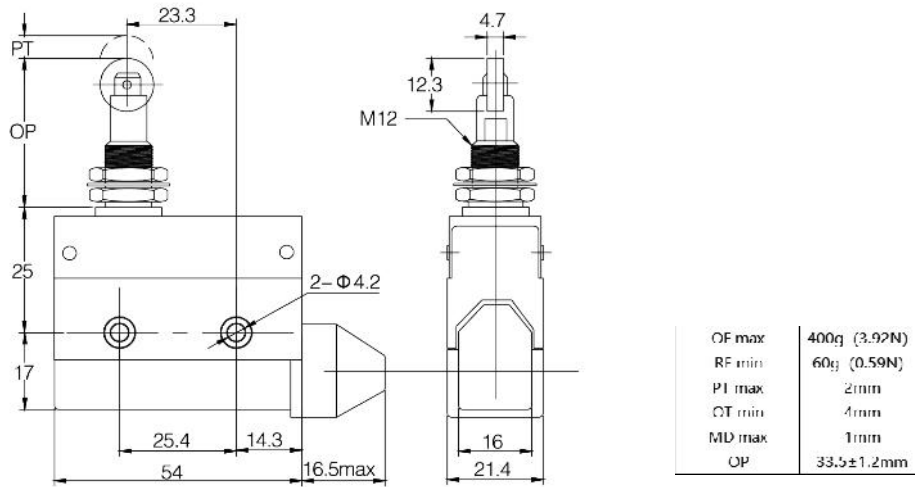
Specifications

Rating load	10A/250V AC	Vibration	Misoperation: 10...55Hz amplitude 1.5mm
Operation speed	0.1mm-50m/s	Impact	Durable: 1000m/s ²
Operation frequency	Mechanical 120 times/min;	Operating life	Misoperation: 300m/s ²
	Electrical 30 times/min		Electrical 100,000 above;
Contact resistance	≤25mΩ		Mechanical 1000,000 above
Insulation resistance	≥100MΩ (500V DC)	Protection degree	IP65
Withstand voltage	Non-connection wire 1000V AC;	Operating temperature	-10°C...80°C
	Every terminal 1500V AC	Operating humidity	≤85%

Contact form



Dimensions



Product structure

