



### INSTALLATION AND USE

The **TRITUS-TX** grinder pump is equipped with a robust, hardened **stainless steel blade**, expertly designed to cut through solids and fibers found in **domestic wastewater and sewage**. It includes a compact, integrated magnetic float switch with a vertical sliding mechanism. This innovative design ensures outmost electrical safety while facilitating operation in confined spaces, requiring as little as **220 mm** of clearance from the pit wall.

### INCLUDES

- ✘ 5 m power cable
- ✘ float switch

### APPLICATION LIMITS

- Depth below water level up to **5 m** (with an appropriately sized power cable)
- Liquid temperature up to **+40 °C** and up to **+90 °C** for short bursts (up to 3 minutes max) for intermittent service
- Bottom drainage level up to **35 mm**

### AVAILABLE UPON REQUEST

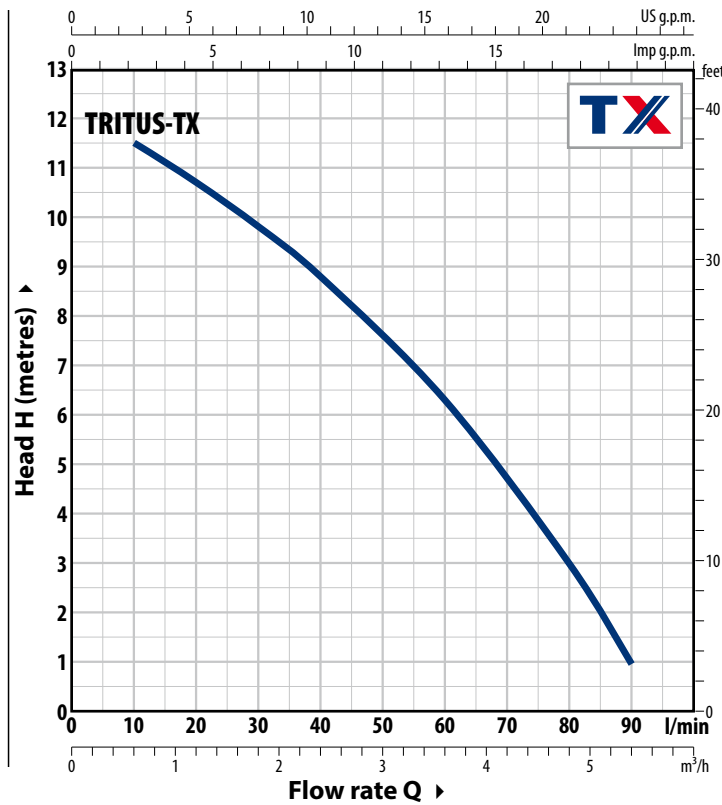
- ✘ Power cable length **10 m**
- ✘ Different voltage requirements 60 Hz frequency

### PATENTS - TRADE MARKS - MODELS

- TRITUS® Registered Trade mark No. 013017181

### CURVES AND PERFORMANCE DATA

50 Hz



### ABSORPTION

TYPE	VOLTAGE
Single-phase	230 V
TRITUS-TX	3.0 A

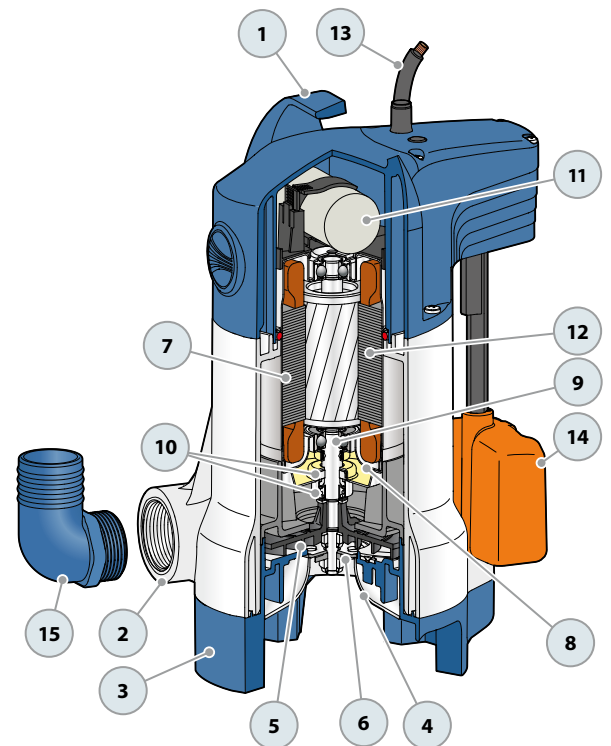
TYPE	POWER (P <sub>2</sub> )		Q	Flow rate									
	kW	HP		m <sup>3</sup> /h	l/min	0	0.6	1.2	1.8	2.4	3.6	4.8	5.4
Single-phase				0	10	20	30	40	60	80	90		
TRITUS-TX	0.55	0.75	H metres	12.0	11.5	10.5	9.6	8.6	6.2	3.0	1.0		

Q = Flow rate H = Total manometric head

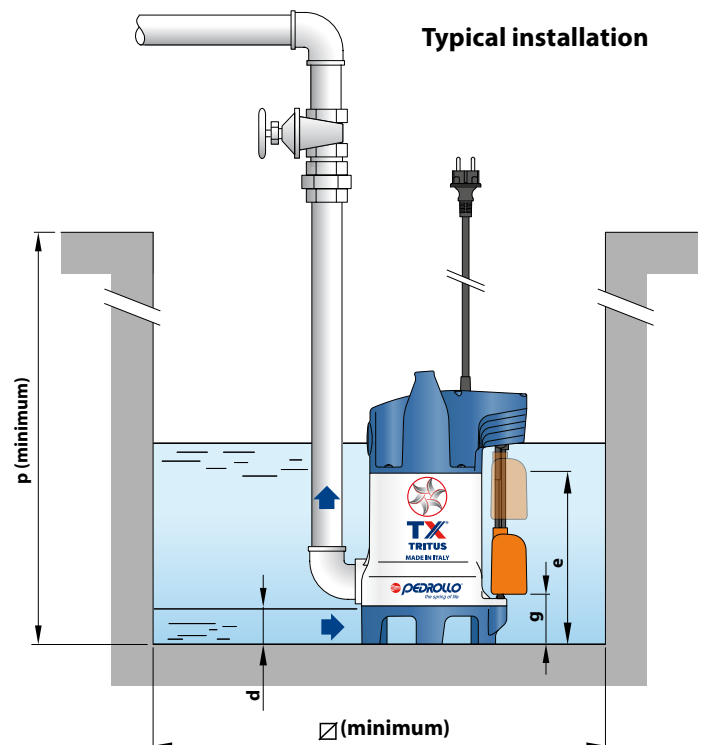
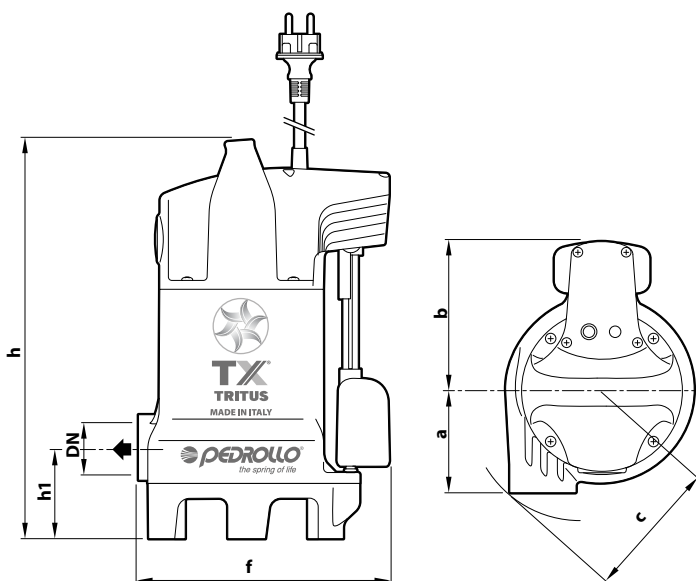
Performance curves comply with EN ISO 9906 Grade 3B tolerance limits.

## MATERIALS AND COMPONENTS

<b>1 Handle</b>	Technopolymer		
<b>2 Pump body</b>	Technopolymer with ISO 228/1 threaded metal insert delivery port		
<b>3 Base</b>	Technopolymer		
<b>4 Conveyor belt</b>	Technopolymer		
<b>5 Impeller</b>	Noryl™		
<b>6 Grinder</b>	Hardened <b>AISI 440C</b> stainless steel		
<b>7 Motor sleeve</b>	Stainless steel <b>AISI 304</b>		
<b>8 Motor cover</b>	Stainless steel <b>AISI 304</b>		
<b>9 Motor shaft</b>	Stainless steel <b>AISI 431</b>		
<b>10 Double shaft seal with interposed oil chamber</b>	Seal	Shaft	Materials
	<b>STA-12R SIC</b>	Ø 12 mm	Ceramic / S. Carbide /NBR
	<b>Shaft seal</b>	Ø 12 x Ø 19 x H 5 mm	
<b>11 Capacitor</b>			
<b>12 Electric motor</b>	single-phase 230 V - 50 Hz with winding integrated thermal motor protection Continuous duty S1, - Class F - IP X8		
<b>13 Power cord</b>	※ 5 metres 'H07 RN-F' type with Schuko plug		
<b>14 Vertical solids magnetic float</b>			
<b>15 Hose connector Ø 40 mm</b>			



## DIMENSIONS AND WEIGHT



TYPE	PORT	DIMENSIONS mm												kg	PALLET CAPACITY		
		a	b	c	f	h1	h	d	e	g	t	p	Ø				
<b>Single-phase</b>	<b>DN</b>															1~	
<b>TRITUS-TX</b>	<b>1 1/4"</b>	88	126	118	214	76	338	35	200	90	260	350	220	7.0		60	