



RELIABLE PUMPS FOR PROJECT

PURITY PUMP CO.,LTD

Office Building:
Building 006,Dongqiao South Road,Daxi Town,
Wenling City ,Zhejiang ,china
Tel: +86 576 86349188 Hotline:400-881-4188
www.cnpurity.com
Info@cnpurity.com

Factory Address:
NO.318,Dongqiao Middle Road,Daxi Town,
Wenling City,Zhejiang ,china
Tel: +86 576 89677888 89686633
Fax: +86 576 89687266



**SEWAGE PUMP
CATALOGUE**

PURITY PUMP CO.,LTD
WWW.CNPURITY.COM



COMMITTED TO BECOMING
THE LEADER OF
ENERGY-SAVING
INDUSTRIAL PUMPS



Purity Pump Co., Ltd. is a specialized manufacturer and supplier of high-quality industrial pumps, exporting to global market in competitive prices. Our main products are centrifugal pumps, fire pumps and system, inline pumps and multistage jockey pumps.

Purity Pump was founded in 1998, headquartered in Wenling (Zhejiang, China), equipped with professional lathe, punching machine, water testing apparatus, spray-painting plant, etc. Purity has over 200 employees, around 10% of whom are engaged in research and development.

Purity is consisting of R&D institute, main factory, machine workshop, rotor workshop, showroom in Wenling city, and one branch in Shanghai.

Our products and services have been deployed in more than 50 countries. And we supply water pumps for many large projects like National Olympic Stadium. We also supply centrifugal and fire pumps to some well-known pump companies all over the world.

Aimed to "Life From Purity", with the tenet of "innovation, high quality, customer satisfaction", we are striving for the top-ranking brand of industrial pumps.

200+
RANGES

30+
Areas

125 Patents

300 Partners

Purity Pump Co., Ltd. is a professional enterprise integrating R & D, production and sales of energy saving industrial pipeline pumps, centrifugal pumps, sewage pumps, fire pumps, non-negative pressure water supply and intelligent water systems.

PURITY Pump Industry Co., Ltd. is a modern professional manufacturer integrating R&D, production and sales of pipeline pumps, centrifugal pumps, sewage pumps, fire pumps, non-negative pressure water supply and smart water systems.

We are committed to the Exploration of pump industry
And provide professional product Solutions for customers



PURITY

Enterprise qualification



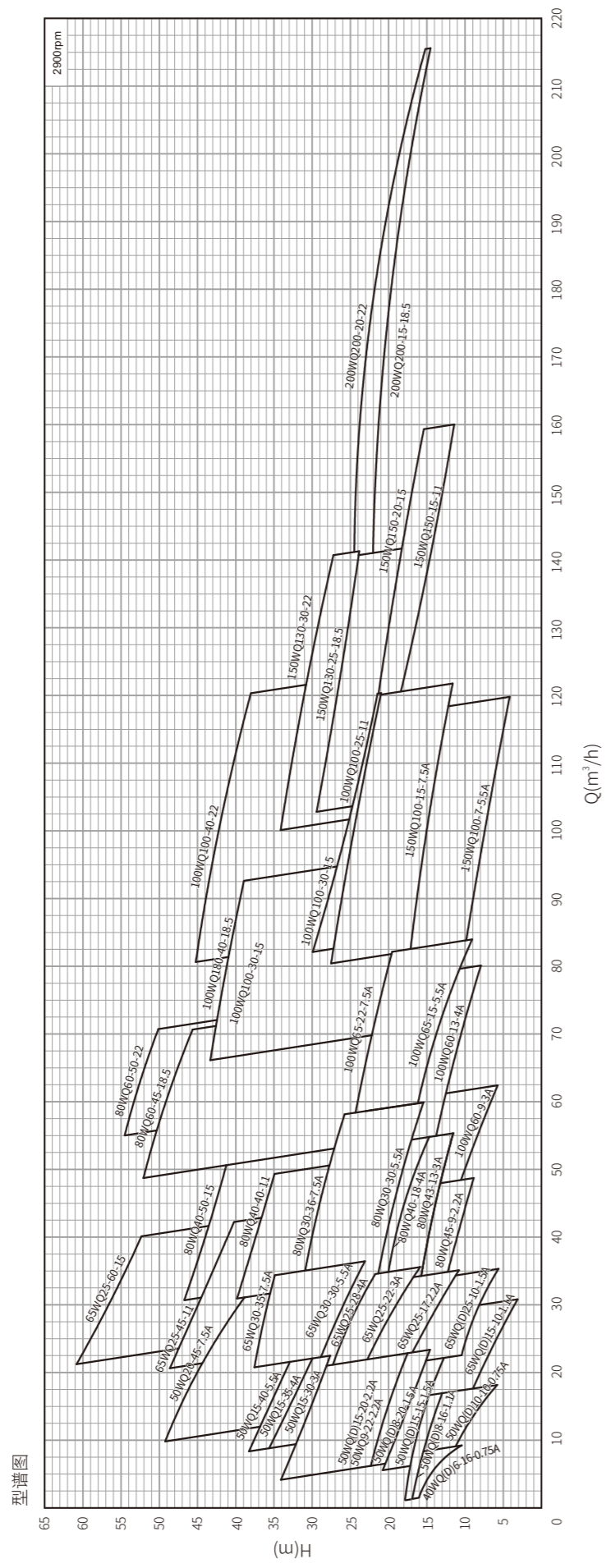
WQ SUBMERSIBLE SEWAGE PUMP

WQ-QG SUBMERSIBLE SEWAGE CUTTING PUMP

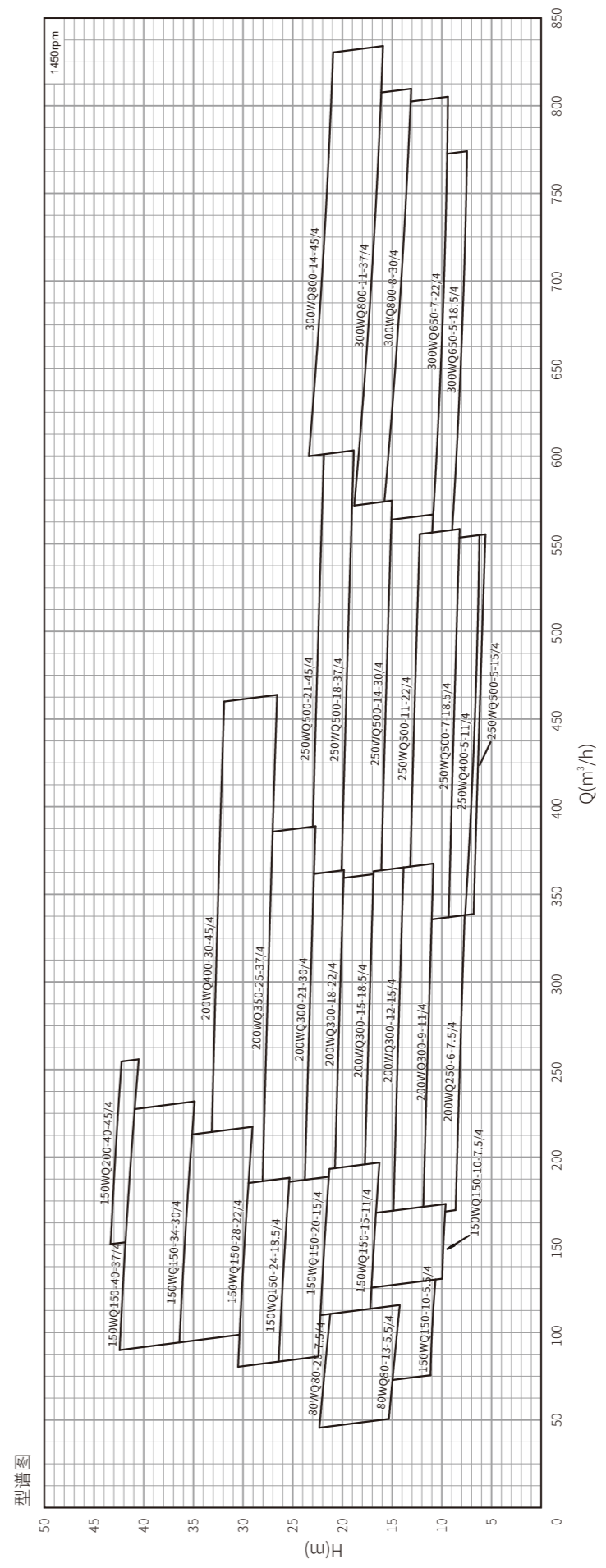
JYWQ SUBMERSIBLE SEWAGE STIRRING PUMP



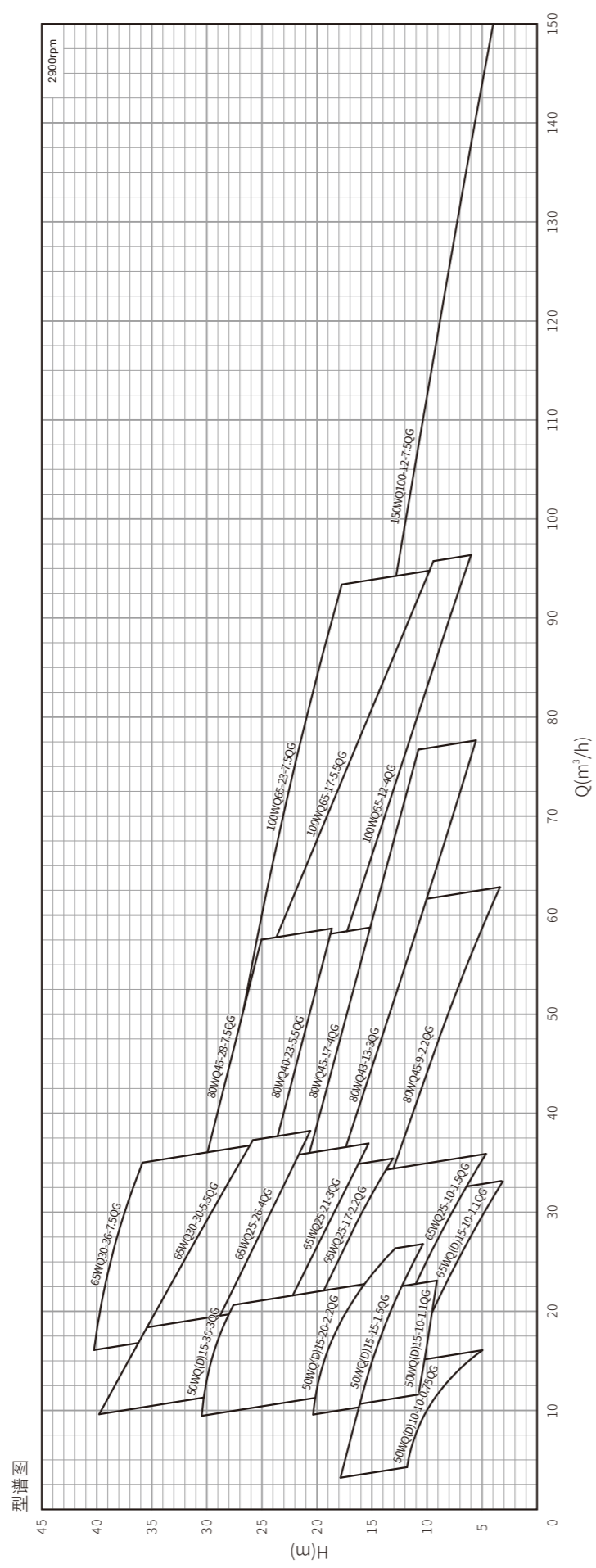
WQ Submersible sewage pump
 Diameter:50-200mm
 Power range: 0.75-22kW



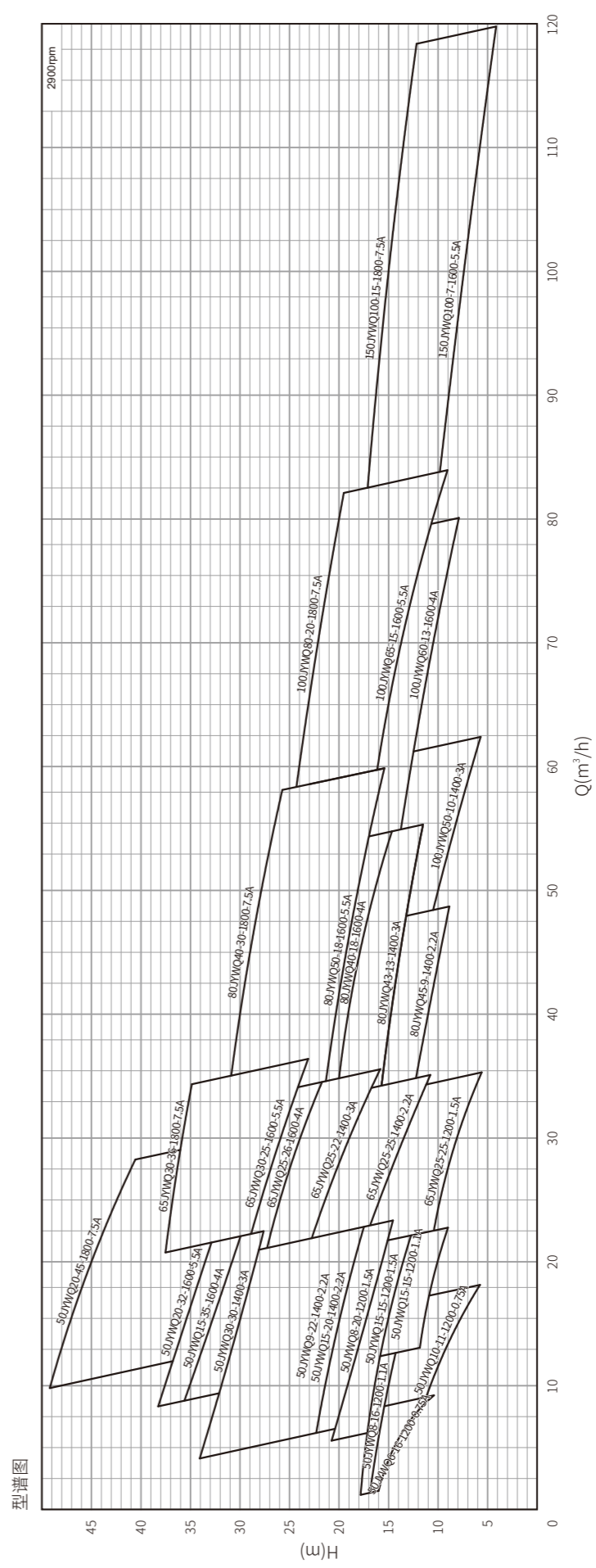
WQ Submersible sewage pump
 Diameter:80-300mm
 Power range: 5.5-45kW



WQ-QGSubmersible Sewage Cutting Pump
 Diameter: 50-150mm
 Power: 0.75-7.5kW



JYWQSubmersible Sewage Stirring Pump
 Diameter: 50-150mm
 Power: 0.75-7.5kW



SEWAGE PUMP

CONTENT

- 03 PERFORMANCE RANGE
- 08 Product Application Sheet
- 09 WQ Submersible Sewage Pump
- 29 WQ-QG Submersible Sewage Cutting Pump
- 39 JYWQ Submersible Sewage Stirring Pump
- 47 Pipeline Head Loss Table
- 48 Cable Adaptation Table
- 49 Coupling



PRODUCT APPLICATION SHEET

Pump series	Clean water and well water	Rain and liquid without solid or fiber	Construction sewage with little small solid	Domestic sewage with short fibers or small solid	Severe sewage in biogas pool with long fiber	Severe Sewage with big and hard solid
WQ	✓	✓	✓	✓	/	/
WQ-QG	✓	✓	✓	✓	✓	/
JYWQ	✓	✓	✓	✓	/	/



THANK YOU

For Choosing The Sewage Pump Series Produced By Purity
At The Same Time
You Will Enjoy Thehigh Quality Products And Sincere Service

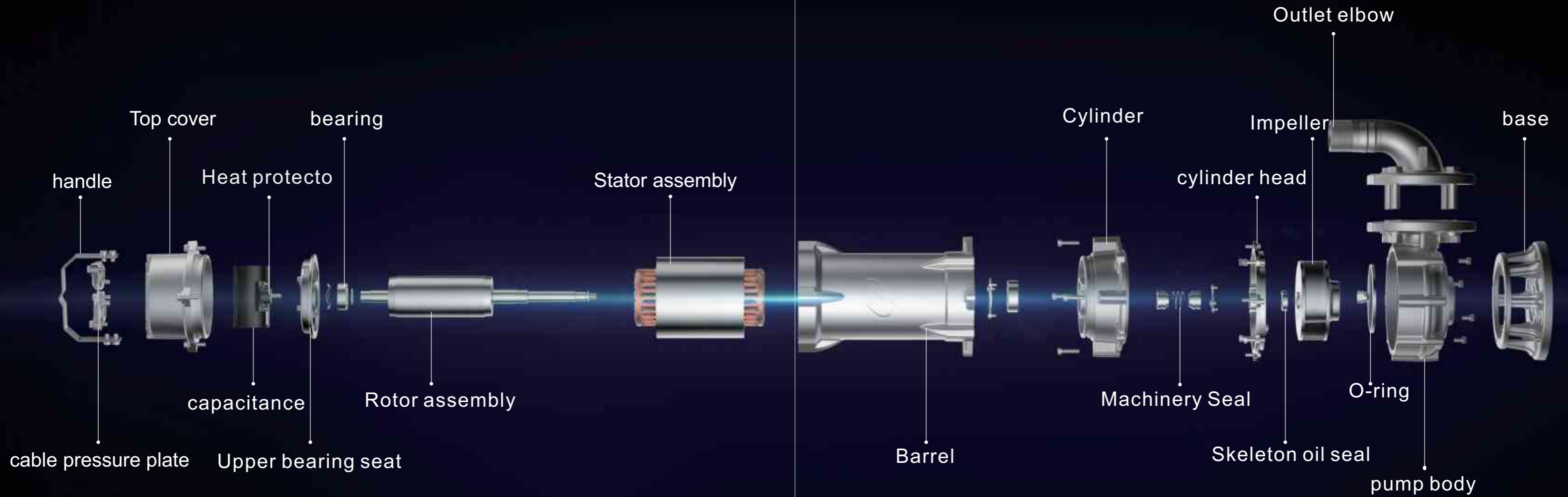


WQ
SUBMERSIBLE SEWAGE PUMP

BREAKDOWN DIAGRAM

WQ SUBMERSIBLE

SUBMERSIBLE SEWAGE PUMP





WQ

submersible sewage pump

0.75 ~ 7.5kW / 50Hz: 3000rpm

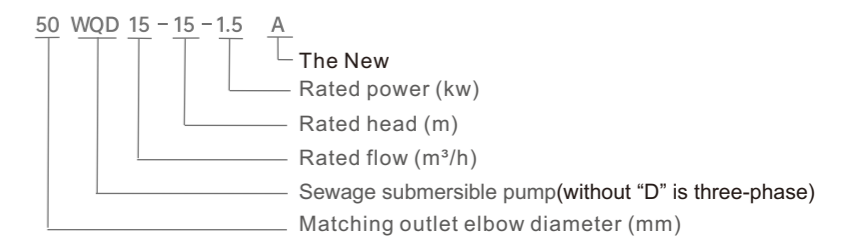
Conditions of Use

- Insulation class: F
- Protection class: IP68
- Water temperature: 0-40°C
- PH value: 6-10
- Medium density: $\leq 1.3\text{g/cm}^3$
- Power supply: Single-phase 220V $\pm 10\%$, 50Hz
Three-phase 380V $\pm 10\%$, 50Hz
- Thermal Protector: Built-in
- Maximum capacity: 150m³/h
- Maximum head: 60m
- Cable length: 8m

Application Environment

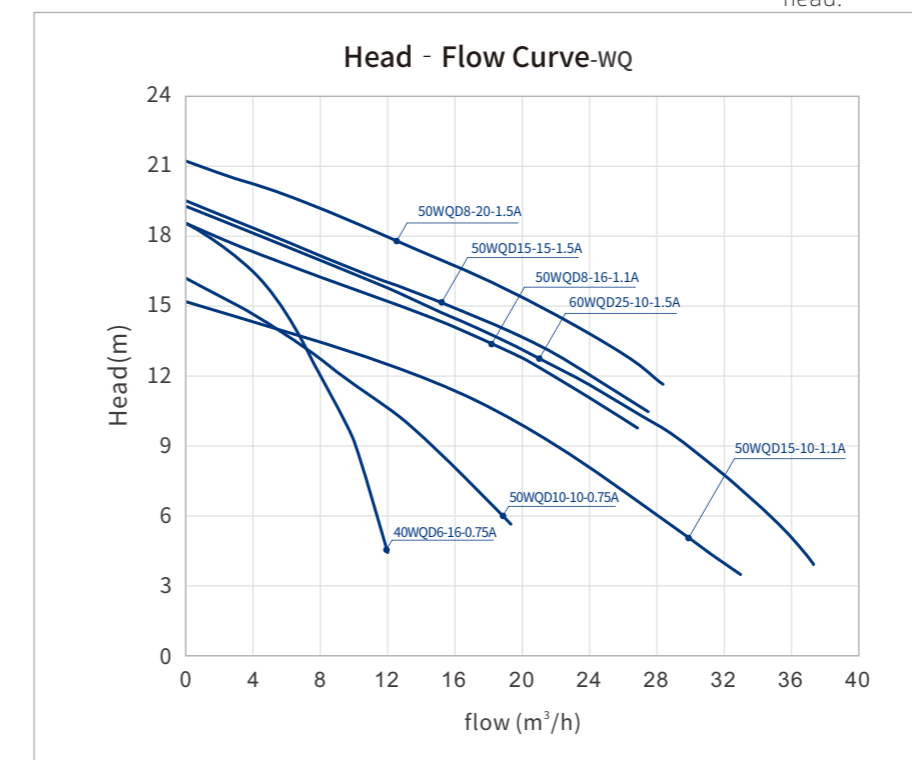
- The altitude does not exceed 1000m.
- During operation, the product must be completely immersed in water, but the diving depth shall not exceed 5m.
- It can transport acidic, alkaline or other corrosive sewage.
- It can be used in chemical, petroleum, light industry, food, pharmaceutical, brewing, environmental protection, sewage treatment and other industries.

Application Environment



Structure and Features

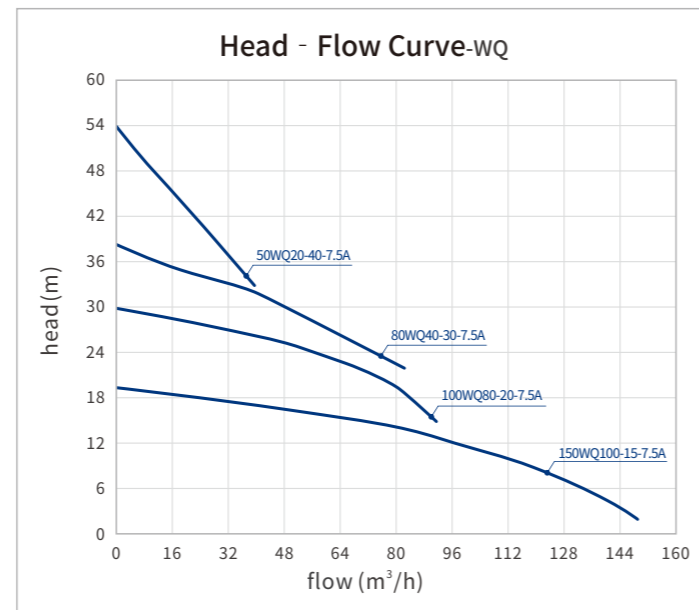
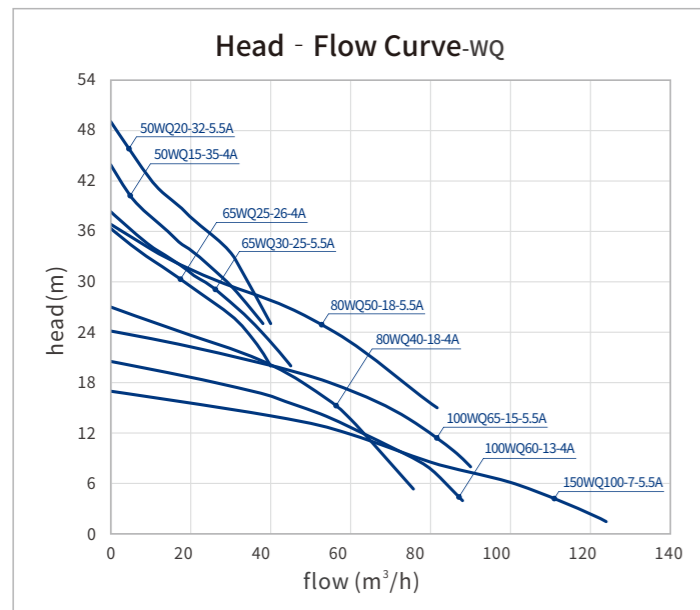
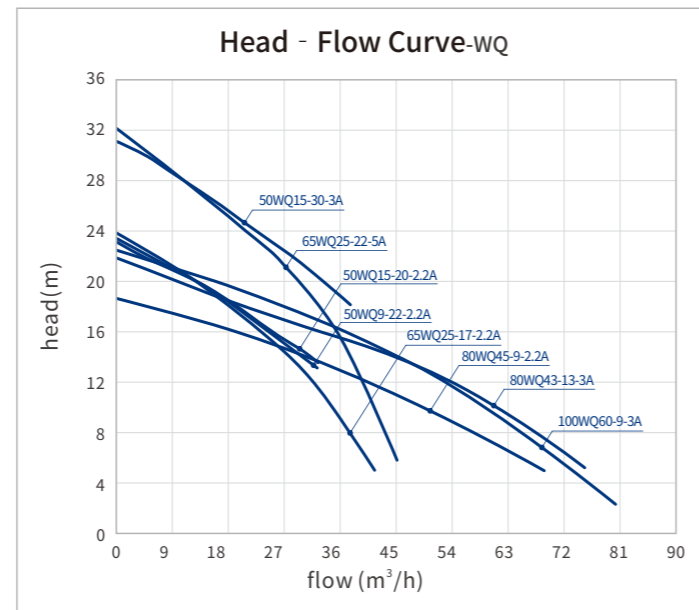
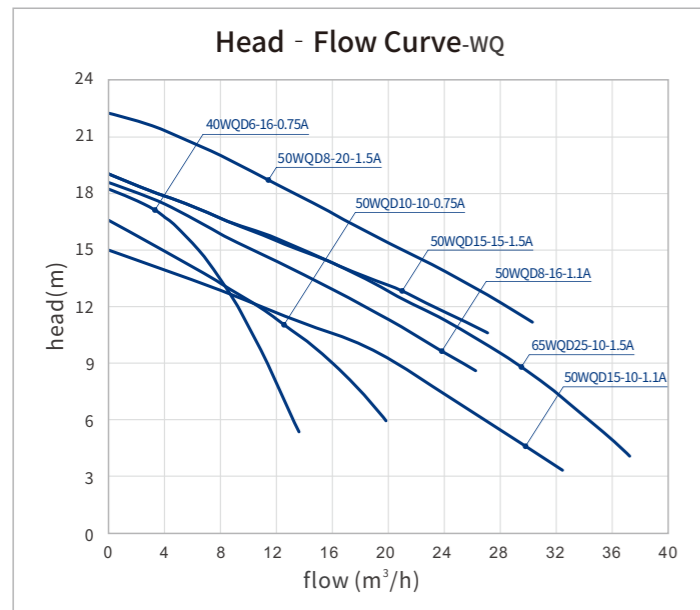
1. The double-blade impeller structure is adopted, which greatly improves the dirt passing capacity, and can effectively pass through fibrous substances and solid particles;
2. The overall structure is compact, the volume is small, the noise is low, the energy saving effect is remarkable, and the maintenance is convenient. There is no need to build a pump room, and it can work by submerging in the water, which greatly reduces the engineering cost;
3. The cable is filled with epoxy glue, which can effectively prevent water vapor from entering the inside of the motor, or immersing in water due to a broken cable, causing water to enter the inside of the motor along the crack;
4. The electric pump is equipped with a thermal protector, which can automatically disconnect the power supply to protect the motor in case of phase loss, overload, motor overheating, etc;
5. The mechanical seal adopts reasonable hard and corrosion-resistant materials, which greatly improves the service life of the pump;
6. The "O" type oil-resistant rubber sealing ring is used for the static seal at each fixed stop;
7. The lifting rings and screws in contact with water are all made of stainless steel 304, which is conducive to the maintenance and disassembly of the electric pump;
8. The insulation grade of the motor is F, and the designed output power has sufficient margin, and the whole series of electric pumps can operate at the full head.



WQ

submersible sewage pump

0.75 ~ 7.5kW / 50Hz: 3000rpm



DATA PARAMETER

Model	Voltage	Current	Power	DN	Rated flow	Rated head	Max flow	Max head	Particle size	Net weigh	Gross weight	Dimension
	V	A	kW	mm	m³/h	m	m³/h	m	mm	kg	kg	mm
40WQD6-16-0.75A	220	4.6	0.75	G1 $\frac{1}{4}$	6	16	14.8	19.1	5	28	29	595*350*260
50WQD10-10-0.75A	220	4.6	0.75	G1 $\frac{1}{2}$	10	10	21.1	17.8	15	30	31	595*350*260
50WQD8-16-1.1A	220	6.4	1.1	G1 $\frac{1}{2}$	8	16	26.1	18.5	15	30	31	595*350*260
65WQD15-10-1.1A	220	6.4	1.1	G2	15	10	30.8	14.3	20	32	34	595*350*260
50WQD8-20-1.5A	220	9.4	1.5	G1 $\frac{1}{2}$	8	20	30.1	22.1	20	30	32	595*350*260
50WQD15-15-1.5A	220	9.4	1.5	G1 $\frac{1}{2}$	15	15	27.9	19.1	20	32	33	595*350*260
65WQD25-10-1.5A	380	9.4	1.5	G2	25	10	35.1	19.1	20	34	36	595*350*260
40WQ6-16-0.75A	380	1.8	0.75	G1 $\frac{1}{4}$	6	16	14.8	19.1	5	26	28	595*350*260
50WQ10-10-0.75A	380	1.8	0.75	G1 $\frac{1}{2}$	10	10	21.1	17.8	15	28	30	595*350*260
50WQ8-16-1.1A	380	2.5	1.1	G1 $\frac{1}{2}$	8	16	26.1	18.5	15	29	30	595*350*260
65WQ15-10-1.1A	380	2.5	1.1	G2	15	10	30.8	14.3	20	30	32	595*350*260
50WQ8-20-1.5A	380	3.3	1.5	G1 $\frac{1}{2}$	8	20	30.1	22.1	20	30	31	595*350*260
50WQ15-15-1.5A	380	3.3	1.5	G1 $\frac{1}{2}$	15	15	27.9	19.1	20	31	32	595*350*260
65WQ25-10-1.5A	380	3.3	1.5	G2	25	10	35.1	19.1	25	32	34	595*350*260
50WQ9-22-2.2A	380	4.7	2.2	G1 $\frac{1}{2}$	9	22	30.2	22.1	20	42	53	660*380*385
50WQ15-20-2.2A	380	4.7	2.2	G1 $\frac{1}{2}$	15	20	30.2	22.1	20	42	53	660*380*385
65WQ25-17-2.2A	380	4.7	2.2	G2	25	17	43.8	24.6	25	46	52	660*380*385
80WQ45-9-2.2A	380	4.7	2.2	G2 $\frac{1}{2}$	45	9	66.2	17.5	30	49	56	680*400*415
50WQ15-30-3A	380	6.1	3	G1 $\frac{1}{2}$	15	30	38.5	31.6	20	47	58	700*380*385
65WQ25-22-3A	380	6.1	3	G2	25	22	47.3	28.4	25	49	61	700*380*385
80WQ43-13-3A	380	6.1	3	G2 $\frac{1}{2}$	43	13	74.7	22.7	30	54	61	720*400*415
100WQ60-9-3A	380	6.1	3	G3 $\frac{1}{2}$	60	9	79.9	22.4	35	54	65	720*400*415
50WQ15-35-4A	380	7.8	4	G1 $\frac{1}{2}$	15	35	45.8	39.3	20	53	78	790*370*425
65WQ25-28-4A	380	7.8	4	G2	25	28	36.3	36.8	25	67	78	790*400*455
80WQ40-18-4A	380	7.8	4	G2 $\frac{1}{2}$	40	18	77.2	27.2	30	67	78	830*400*455
100WQ60-13-4A	380	7.8	4	G3 $\frac{1}{2}$	60	13	78.2	21.6	35	77	89	830*400*455
50WQ15-40-5.5A	380	10.7	5.5	G1 $\frac{1}{2}$	15	40	47.3	43.6	20	73	79	810*370*425
65WQ30-30-5.5A	380	10.7	5.5	G2	30	30	36.8	39.5	25	72	82	810*370*425
80WQ30-30-5.5A	380	10.7	5.5	G2 $\frac{1}{2}$	30	30	82.5	34.1	30	75	85	830*400*455
100WQ65-15-5.5A	380	10.7	5.5	G3 $\frac{1}{2}$	65	15	79.8	26.7	35	82	94	830*400*455
150WQ100-7-5.5A	380	10.7	5.5	/	100	7	123.9	17.4	40	94	110	850*460*495
50WQ20-45-7.5A	380	14.2	7.5	G1 $\frac{1}{2}$	20	45	37.5	55.5	20	125	137	880*460*485
65WQ30-35-7.5A	380	14.2	7.5	G2	30	35	82.1	39.8	25	125	139	880*460*485
80WQ30-36-7.5A	380	14.2	7.5	G2 $\frac{1}{2}$	30	36	89.2	39.1	30	127	141	880*480*485
100WQ65-22-7.5A	380	14.2	7.5	G3 $\frac{1}{2}$	65	22	92.8	30.2	35	132	145	880*480*485
150WQ100-10-7.5A	380	14.2	7.5	/	100	10	153.1	19.8	40	143	157	910*550*483



RELIABLE PUMPS FOR PROJECT

WQ

submersible sewage pump

11 ~ 22kW / 50Hz:3000rpm

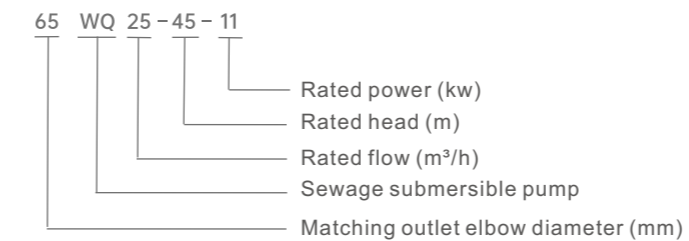
Conditions of Use

- Insulation class: F
- Protection class: IP68
- Water temperature: 0-40°C
- PH value: 6-10
- Medium density: $\leq 1.3g/cm^3$
- Power supply: Three-phase 380V $\pm 10\%$, 50Hz
- Thermal Protector: Built-in
- Maximum capacity: 150m³/h
- Maximum head: 60m
- Cable length: 8m

Application Environment

- The altitude does not exceed 1000m.
- During operation, the product must be completely immersed in water, but the diving depth shall not exceed 5m.
- It can transport acidic, alkaline or other corrosive sewage.
- It can be used in chemical, petroleum, light industry, food, pharmaceutical, brewing, environmental protection, sewage treatment and other industries.

Application Environment



Structure and Features

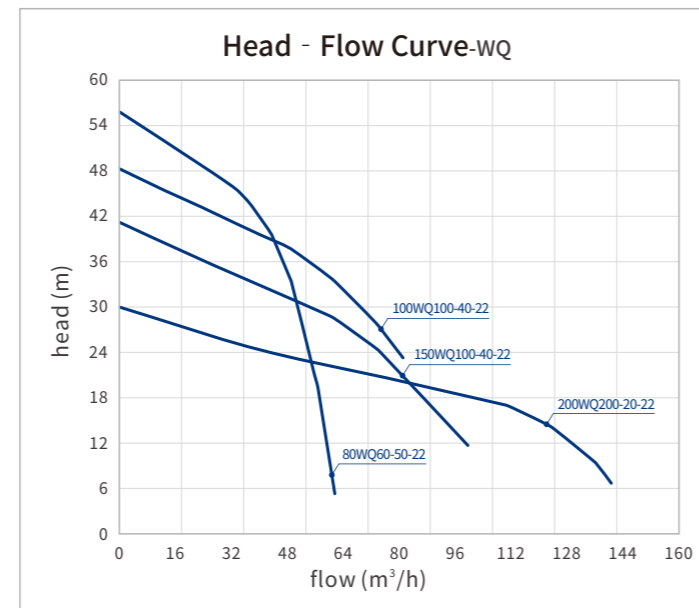
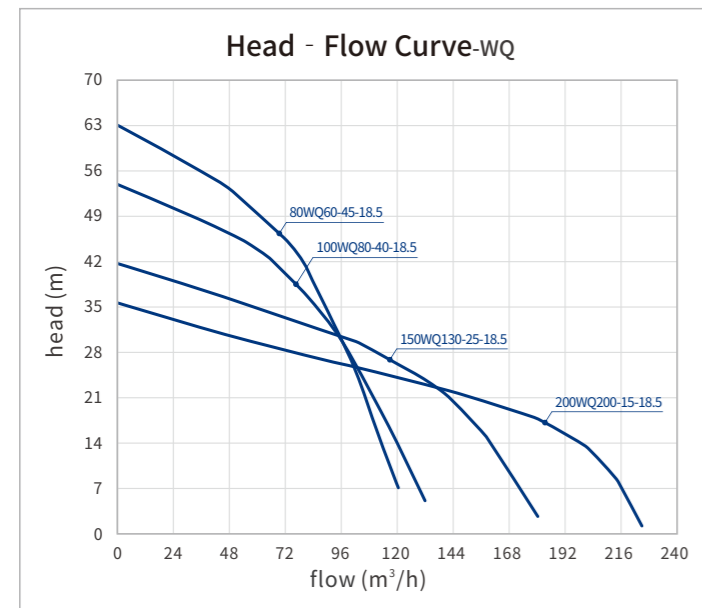
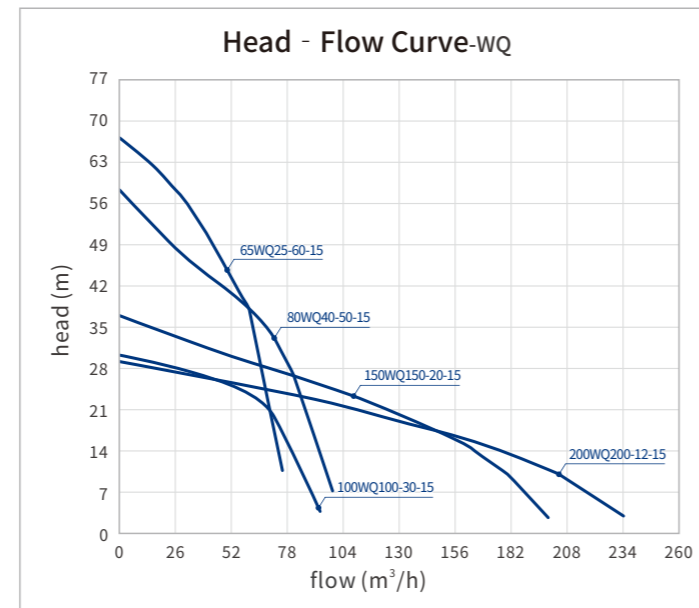
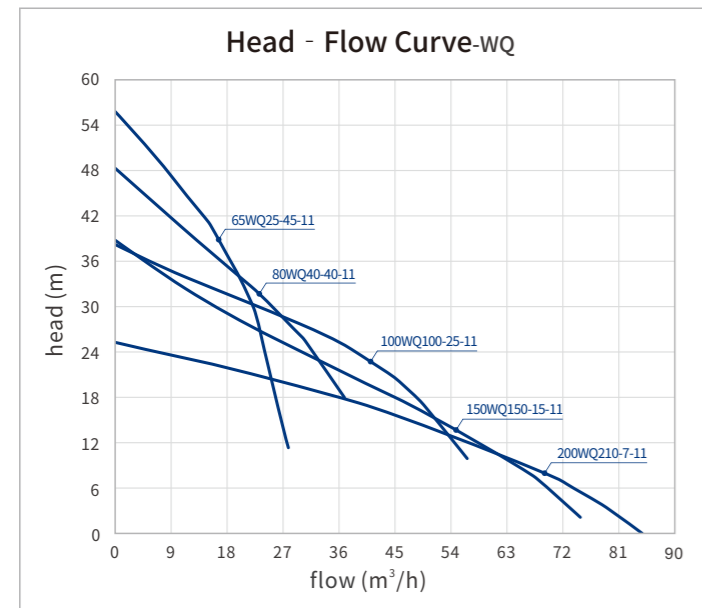
1. The double-blade impeller structure is adopted, which greatly improves the dirt passing capacity, and can effectively pass through fibrous substances and solid particles;
2. The overall structure is compact, the volume is small, the noise is low, the energy saving effect is remarkable, and the maintenance is convenient. There is no need to build a pump room, and it can work by submerging in the water, which greatly reduces the engineering cost;
3. The cable is filled with epoxy glue, which can effectively prevent water vapor from entering the inside of the motor, or immersing in water due to a broken cable, causing water to enter the inside of the motor along the crack;
4. The electric pump is equipped with a thermal protector, which can automatically disconnect the power supply to protect the motor in case of phase loss, overload, motor overheating, etc;
5. The mechanical seal adopts reasonable hard and corrosion-resistant materials, which greatly improves the service life of the pump;
6. The "O" type oil-resistant rubber sealing ring is used for the static seal at each fixed stop;
7. The lifting rings and screws in contact with water are all made of stainless steel 304, which is conducive to the maintenance and disassembly of the electric pump;
8. The insulation grade of the motor is F, and the designed output power has sufficient margin, and the whole series of electric pumps can operate at the full head.



WQ

submersible sewage pump

11 ~ 22kW / 50Hz:3000rpm



WQ

submersible sewage pump

11 ~ 22kW / 50Hz:3000rpm



DATA PARAMETER

Model	DN	Rated flow	Rated head	Max flow	Max head	Particle size	Net weigh	Gross weight	Dimension
	mm	m³/h	m	m³/h	m	mm	kg	kg	mm
65WQ25-45-11	65	25	45	73.3	53.5	25	115	136	505*360*975
80WQ45-40-11	80	45	40	97.2	53.5	30	128	139	515*360*980
100WQ100-25-11	100	100	25	150.1	37.3	35	134	143	580*360*995
150WQ150-15-11	150	150	15	192.0	31.4	45	142	162	66*390*1005
200WQ210-7-11	200	210	7	236.2	28.8	50	152	172	780*400*1020
65WQ25-60-15	65	25	60	73.2	65.5	25	137	148	505*360*1015
80WQ40-50-15	80	40	50	98.2	53.4	30	140	150	535*360*1020
100WQ100-30-15	100	100	30	151.0	40.5	35	147	160	580*360*1036
150WQ150-20-15	150	150	20	197.3	37.0	45	155	172	665*390*1045
200WQ220-12-15	200	220	12	234.3	31.0	50	164	184	725*400*1060
80WQ60-45-18.5	80	65	45	96.9	65.4	30	168	178	520*370*1105
100WQ100-35-18.5	100	100	35	131.5	53.8	35	174	183	590*380*1125
150WQ130-25-18.5	150	130	25	162.6	40.8	45	185	199	680*400*1135
200WQ200-15-18.5	200	200	15	219.8	34.5	55	200	222	745*420*1165
80WQ60-50-22	80	60	50	98.0	67.2	30	180	192	815*370*1135
100WQ100-40-22	100	100	40	131.4	58.9	35	185	200	590*390*1155
150WQ130-30-22	150	130	30	160.7	50.2	45	197	212	690*400*1165
200WQ200-20-22	200	200	20	228.6	36.0	50	212	230	745*420*1205



WQ

submersible sewage pump

5.5-45kW/50Hz:1450rpm

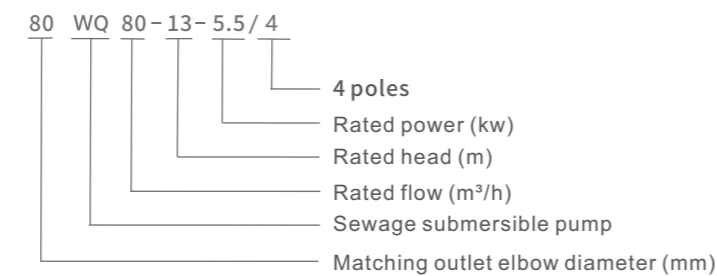
Conditions of Use

- Insulation class: F
- Protection class: IP68
- Water temperature: 0-40°C
- PH value: 6-10
- Medium density: $\leq 1.3\text{g/cm}^3$
- Power supply: Three-phase 380V $\pm 10\%$, 50Hz
- Thermal Protector: Built-in
- Maximum capacity: 1850m³/h
- Maximum head: 80m
- Cable length: 8m

Application Environment

- The altitude does not exceed 1000m.
- During operation, the product must be completely immersed in water, but the diving depth shall not exceed 5m.
- It can transport acidic, alkaline or other corrosive sewage.
- It can be used in chemical, petroleum, light industry, food, pharmaceutical, brewing, environmental protection, sewage treatment and other industries.

Model Description



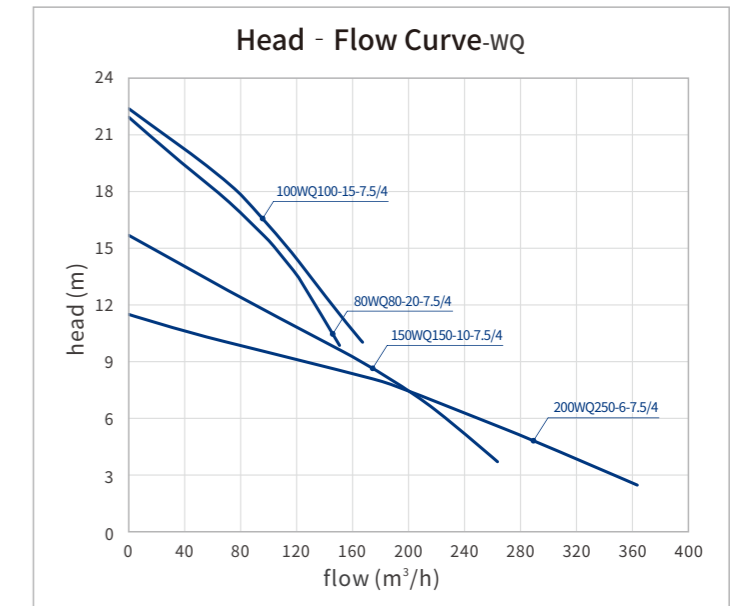
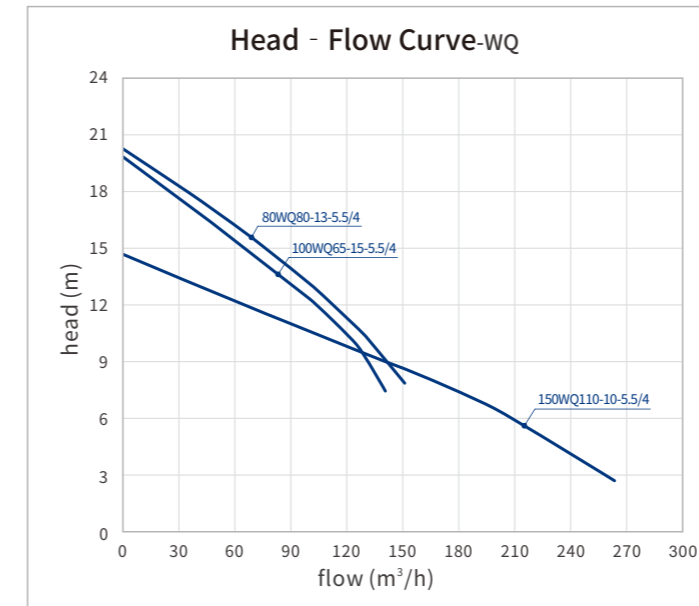
Structure and Features

1. The double-blade impeller structure is adopted, which greatly improves the dirt passing capacity, and can effectively pass through fibrous substances and solid particles;
2. The overall structure is compact, the volume is small, the noise is low, the energy saving effect is remarkable, and the maintenance is convenient. There is no need to build a pump room, and it can work by submerging in the water, which greatly reduces the engineering cost;
3. The cable is filled with epoxy glue, which can effectively prevent water vapor from entering the inside of the motor, or immersing in water due to a broken cable, causing water to enter the inside of the motor along the crack;
4. The electric pump is equipped with a thermal protector, which can automatically disconnect the power supply to protect the motor in case of phase loss, overload, motor overheating, etc;
5. The mechanical seal adopts reasonable hard and corrosion-resistant materials, which greatly improves the service life of the pump;
6. The "O" type oil-resistant rubber sealing ring is used for the static seal at each fixed stop;
7. The lifting rings and screws in contact with water are all made of stainless steel 304, which is conducive to the maintenance and disassembly of the electric pump;
8. The insulation grade of the motor is F, and the designed output power has sufficient margin, and the whole series of electric pumps can operate at the full head.

WQ

submersible sewage pump

5.5-45kW/50Hz:1450rpm



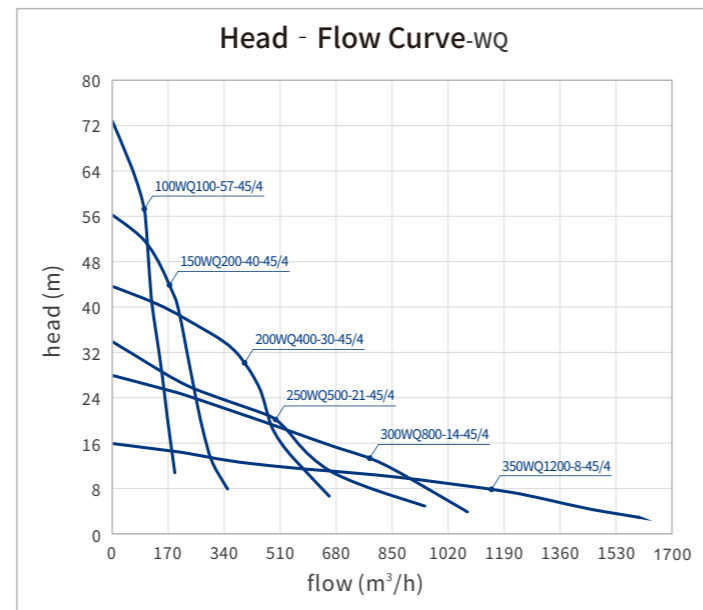
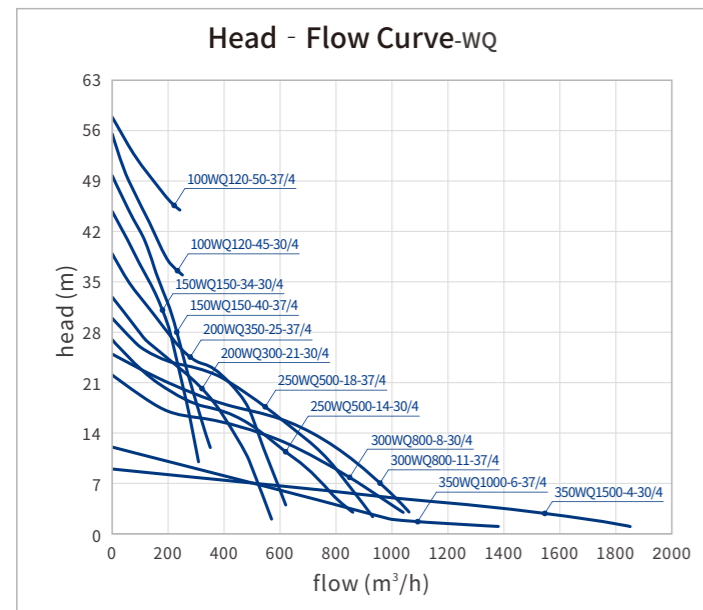
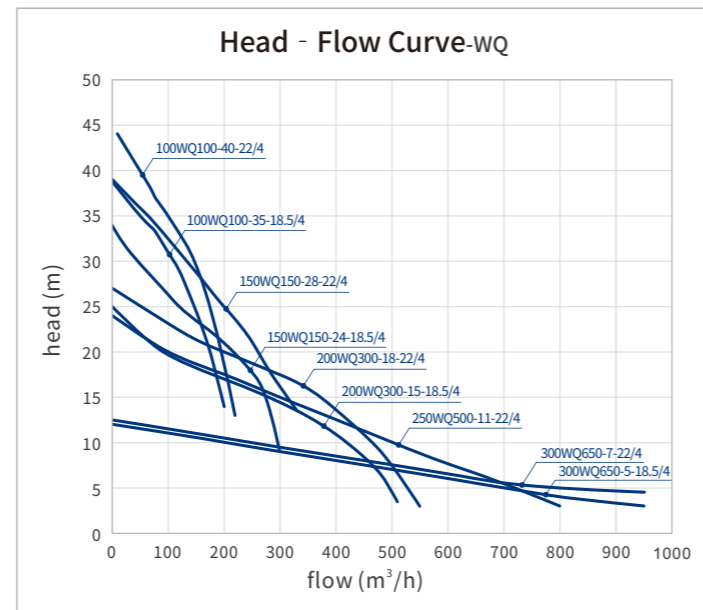
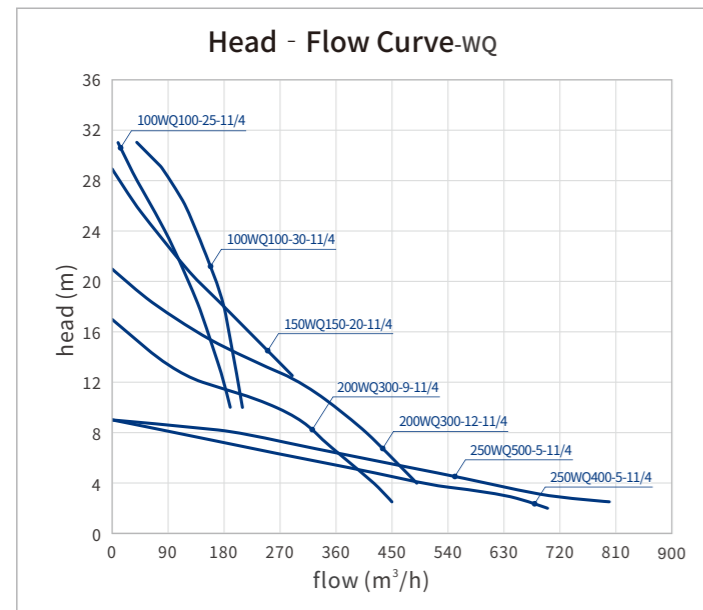
DATA PARAMETER

Model	Voltage	Current	Power	DN	Rated flow	Rated head	Max flow	Max head	Particle size	Net weigh	Gross weight	Dimension	pole
	V	A	kW	mm	m ³ /h	m	m ³ /h	m	mm	kg	kg	mm	
80WQ80-13-5.5/4	380	10.7	5.5	80	80	13	110	17	50	140	152	925*435*605	4
100WQ65-15-5.5/4	380	10.7	5.5	100	65	15	90	19	50	143	156	925*435*605	4
150WQ110-10-5.5/4	380	10.7	5.5	150	110	10	200	16	55	154	167	955*465*635	4
80WQ80-20-7.5/4	380	14.2	7.5	80	80	20	110	25	50	156	170	975*435*605	4
100WQ100-15-7.5/4	380	14.2	7.5	100	100	15	170	24	50	159	172	975*435*605	4
150WQ150-10-7.5/4	380	14.2	7.5	150	150	10	240	16	75	172	184	1005*465*635	4
200WQ250-6-7.5/4	380	14.2	7.5	200	250	6	400	12	80	203	218	1035*515*715	4



submersible sewage pump

5.5-45kW/50Hz:1450rpm



submersible sewage pump

5.5-45kW/50Hz:1450rpm

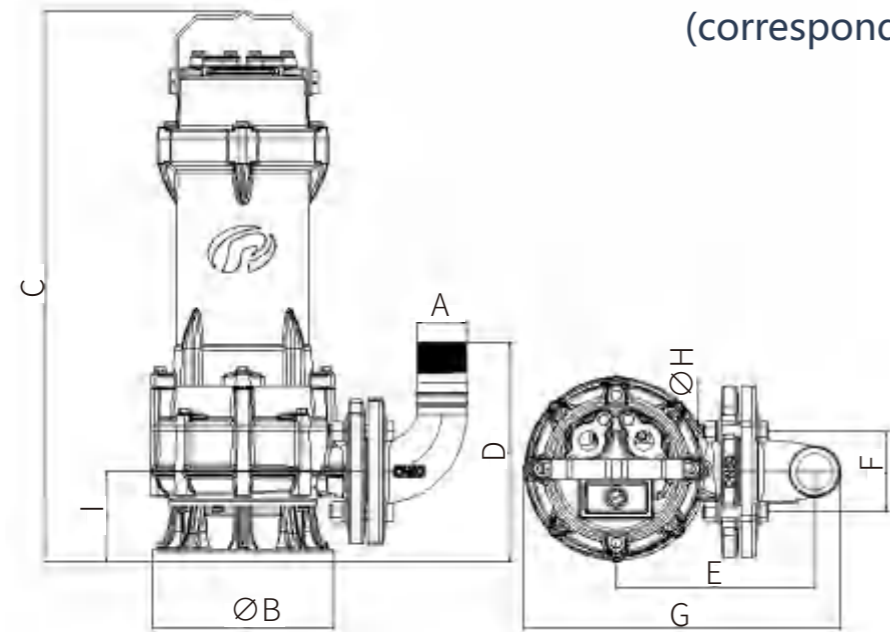
DATA PARAMETER

Model	Voltage V	Current A	Power kW	DN mm	Rated flow m³/h	Rated head m	Max flow m³/h	Max head m	Particle size mm	Net weigh kg	Gross weight kg	Dimension mm	pole
100WQ100-25-11/4	380	22.2	11	100	100	25	190	31	50	253	271	1045*495*665	4
150WQ150-15-11/4	380	22.2	11	150	150	15	260	24	65	256	274	1075*495*685	4
200WQ300-9-11/4	380	22.2	11	200	300	9	450	17	70	280	299	1115*525*715	4
250WQ400-5-11/4	380	22.2	11	250	400	5	630	9	75	290	305	1115*525*725	4
100WQ100-30-15/4	380	29.8	15	100	100	30	210	35	50	275	293	1095*495*665	4
150WQ150-20-15/4	380	29.8	15	150	150	20	290	29	65	277	295	1115*495*685	4
200WQ300-12-15/4	380	29.8	15	200	300	12	490	21	70	302	321	1165*525*715	4
250WQ500-5-15/4	380	29.8	15	250	500	5	800	9	75	318	334	1165*525*735	4
100WQ100-35-18.5/4	380	36.1	18.5	100	100	35	200	38	50	326	345	1185*505*705	4
150WQ150-24-18.5/4	380	36.1	18.5	150	150	24	300	32	60	327	346	1185*505*705	4
200WQ300-15-18.5/4	380	36.1	18.5	200	300	15	550	27	70	374	394	1225*535*735	4
250WQ500-7-18.5/4	380	36.1	18.5	250	500	7	800	12	75	392	413	1235*535*745	4
300WQ650-5-18.5/4	380	36.1	18.5	300	650	5	950	9	75	415	435	1235*535*805	4
100WQ100-40-22/4	380	42.6	22	100	100	40	220	44	50	346	366	1185*505*705	4
150WQ150-28-22/4	380	42.6	22	150	150	28	330	39	70	374	394	1225*535*735	4
200WQ300-18-22/4	380	42.6	22	200	300	18	550	27	70	374	394	1225*535*735	4
250WQ500-11-22/4	380	42.6	22	250	500	11	800	22	90	360	381	1335*625*815	4
300WQ650-7-22/4	380	42.6	22	300	650	7	950	12	95	480	405	1365*625*855	4
100WQ120-45-30/4	380	57.2	30	100	120	45	250	56	50	480	505	780*600*1400	4
150WQ150-34-30/4	380	57.2	30	150	150	34	310	45	55	497	519	780*600*1440	4
200WQ300-21-30/4	380	57.2	30	200	300	21	570	33	80	519	541	840*620*1480	4
250WQ500-14-30/4	380	57.2	30	250	500	14	860	27	90	512	535	780*650*1500	4
300WQ800-8-30/4	380	57.2	30	300	800	8	1040	22	90	557	581	860*720*1550	4
350WQ1500-4-30/4	380	57.2	30	350	120	4	1850	9	95	600	630	890*720*1640	4
100WQ120-50-37/4	380	69.9	37	100	120	50	240	80	50	580	605	780*600*1450	4
150WQ150-40-37/4	380	69.9	37	150	150	40	350	56	55	593	615	780*600*1490	4
200WQ350-25-37/4	380	69.9	37	200	350	25	620	39	90	576	598	840*620*1530	4
250WQ500-18-37/4	380	69.9	37	250	500	18	930	30	90	570	593	780*650*1550	4
300WQ800-11-37/4	380	69.9	37	300	800	11	1060	25	90	614	638	860*720*1600	4
350WQ1000-6-37/4	380	69.9	37	350	1000	6	1380	12	95	630	652	875*720*1650	4
100WQ100-57-45/4	380	84	45	100	100	57	190	75	50	585	595	780*600*1450	4
150WQ200-40-45/4	380	84	45	150	200	40	350	56	55	593	615	780*600*1490	4
200WQ400-30-45/4	380	84	45	200	400	30	660	43	90	612	634	840*620*1530	4
250WQ500-21-45/4	380	84	45	250	500	21	950	34	90	606	629	780*650*1550	4
300WQ800-14-45/4	380	84	45	300	800	14	1080	28	90	650	674	860*720*1600	4
350WQ1200-8-45/4	380	84	45	350	1200	8	1600	16	95	675	690	875*720*1650	4

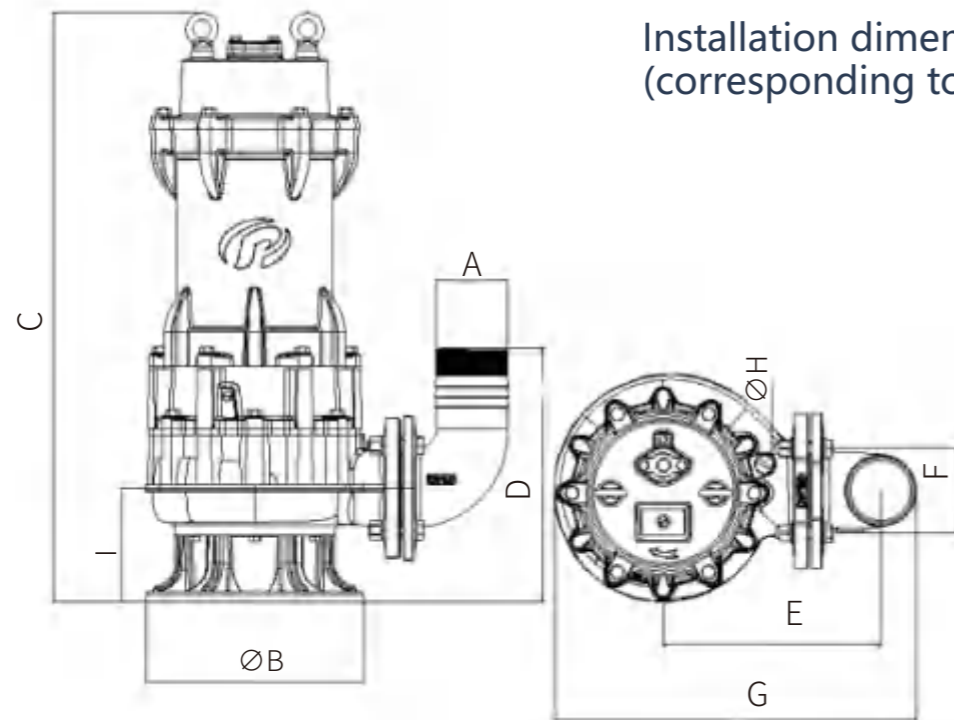
WQ

submersible sewage pump

0.75-22Kw/50HZ:3000rpm

Installation dimension drawing 1
(corresponding to Table 1)

(figure 1)

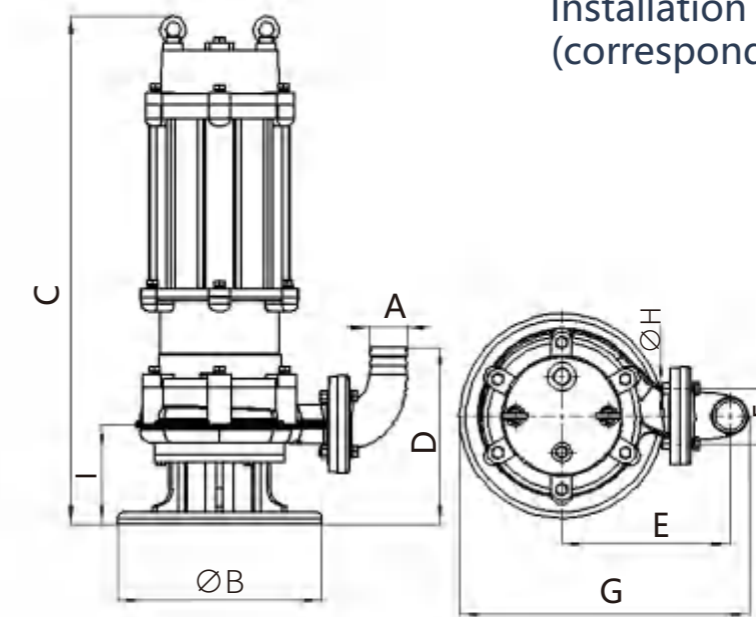
Installation dimension drawing 2
(corresponding to Table 2)

(figure 2)

WQ

submersible sewage pump

0.75-22Kw/50HZ:3000rpm

Installation dimension drawing 3
(corresponding to Table 3)

(figure 3)

INSTALLATION SIZE DATA PARAMETERS

Table 1

Model	A inch	B mm	C mm	D mm	E mm	F mm	G mm	H mm	I mm
40WQ6-16-0.75A	G1 1/4	176	480	181	186	71	299	12	75.5
40WQD6-16-0.75A	G1 1/4	176	480	181	186	71	299	12	75.5
50WQ10-10-0.75A	G1 1/2	176	500	212.5	208	76.5	321	12	88.5
50WQD10-10-0.75A	G1 1/2	176	500	212.5	208	76.5	321	12	88.5
50WQ10-15-1.1A	G1 1/2	176	530	211.5	193	76.5	306	12	87.5
50WQD10-15-1.1A	G1 1/2	176	530	211.5	193	76.5	306	12	87.5
50WQ8-20-1.5A	G1 1/2	176	530	211.5	193	76.5	306	12	87.5
50WQD8-20-1.5A	G1 1/2	176	530	211.5	193	76.5	306	12	87.5
50WQ15-15-1.5A	G1 1/2	176	530	211.5	193	76.5	306	12	87.5
50WQD15-15-1.5A	G1 1/2	176	530	211.5	193	76.5	306	12	87.5
65WQ15-10-1.1A	G2	176	530	244	205	92	326	12	87.5
65WQD15-10-1.1A	G2	176	530	244	205	92	326	12	87.5
65WQ25-10-1.5A	G2	176	530	244	205	92	326	12	87.5
65WQD25-10-1.5A	G2	176	530	244	205	92	326	12	87.5



submersible sewage pump

0.75-22Kw/50HZ:3000rpm

INSTALLATION SIZE DATA PARAMETERS

Table 2

Model	A inch	B mm	C mm	D mm	E mm	F mm	G mm	H mm	I mm
50WQ9-22-2.2A	G1 1/2	220	595	234	240	78	375	12	110
50WQ15-20-2.2A	G1 1/2	220	595	234	240	78	375	12	110
50WQ15-30-3A	G1 1/2	220	630	234	240	78	375	12	110
50WQ15-35-4A	G1 1/2	260	717	266.5	257	78	411	12	142.5
50WQ15-40-5.5A	G1 1/2	260	757	266.5	257	78	411	12	142.5
50WQ20-45-7.5A	G1 1/2	310	812.7	274	270.2	78	450	12	144.5
65WQ25-17-2.2A	G2	220	597	268	225	92	362	12	112
65WQ25-22-3A	G2	220	632	268	225	92	362	12	112
65WQ25-28-4A	G2	260	710.5	294	257	92	419	12	136.5
65WQ30-30-5.5A	G2	260	750.5	294	257	92	419	12	136.5
65WQ30-35-7.5A	G2	310	813.7	300	286	92	468	12	144
80WQ45-9-2.2A	G2 1/2	220	618	294	250	106	394	16	118
80WQ43-13-3A	G2 1/2	220	653	294	250	106	394	16	118
80WQ40-18-4A	G2 1/2	260	712	311	269.5	106	437.5	16	135
80WQ30-30-5.5A	G2 1/2	260	750	311	269.5	106	437.5	16	135
80WQ30-36-7.5A	G2 1/2	310	813.7	320	265	121	423	16	144
100WQ60-9-3A	G3 1/2	220	653	318	293.5	121	498.5	16	124
100WQ65-13-4A	G3 1/2	260	743.5	358	293.5	121	498.5	16	158
100WQ65-18-5.5A	G3 1/2	260	783.5	358	299.5	121	502	16	158
100WQ65-22-7.5A	G3 1/2	310	840	363	360.5	208	582	16	163
150WQ100-7-5.5A	/	260	790	400	340	208	565	16	160
150WQ100-10-7.5A	/	310	843.5	401	363	208	591	16	166



submersible sewage pump

0.75-22Kw/50HZ:3000rpm

INSTALLATION SIZE DATA PARAMETERS

Table 3

Model	A mm	B mm	C mm	D mm	E mm	F mm	G mm	H mm	I mm
65WQ25-45-11	65	340	860	300	285	130	490	12	180
80WQ45-40-11	80	340	865	315	285	150	495	16	180
100WQ100-25-11	100	340	880	335	340	170	560	16	190
150WQ150-15-11	150	340	890	405	400	225	645	16	195
200WQ210-7-11	200	340	905	475	435	280	760	16	205
65WQ25-60-15	65	340	900	295	285	130	490	12	175
80WQ40-50-15	80	340	905	315	305	150	515	16	180
100WQ100-30-15	100	340	920	335	340	170	560	16	190
150WQ150-20-15	150	340	930	405	400	225	645	16	195
200WQ220-12-15	200	340	945	475	435	280	705	16	205
80WQ60-45-18.5	80	340	990	320	290	150	500	16	185
100WQ100-35-18.5	100	340	1010	335	350	170	570	16	190
150WQ130-25-18.5	150	340	1020	405	415	225	660	16	195
200WQ200-15-18.5	200	340	1050	485	455	280	725	16	215
80WQ60-50-22	80	340	1020	320	290	150	495	16	185
100WQ100-40-22	100	340	1040	335	350	170	570	16	190
150WQ130-30-22	150	340	1050	405	425	225	670	16	195
200WQ200-20-22	200	340	1090	485	455	280	725	16	215



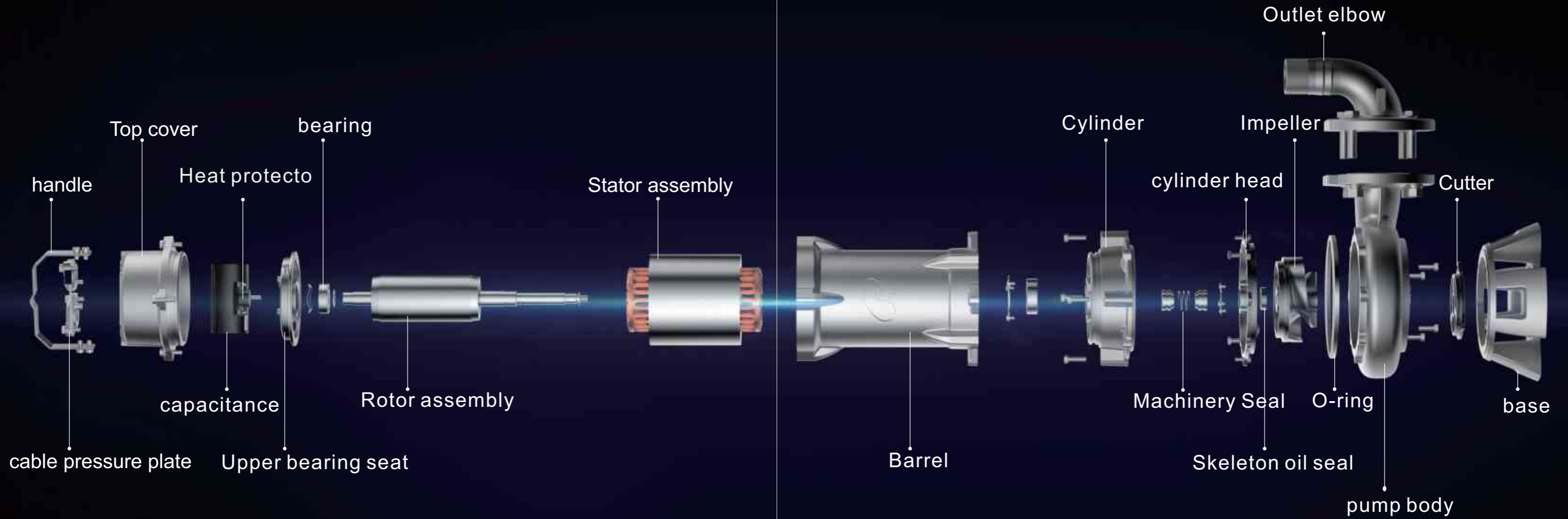
WQ-QG

CUTTING SUBMERSIBLE SEWAGE PUMP

BREAKDOWN DIAGRAM

WQ-QG CUTTING

SUBMERSIBLE SEWAGE PUMP





WQ-QG

Cutting submersible sewage pump

0.75~7.5kW / 50Hz: 3000rpm

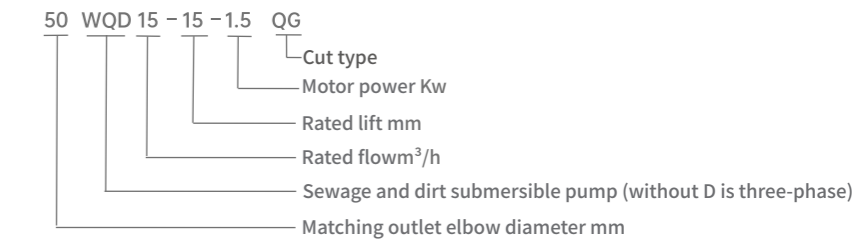
Model Description

- Insulation class: F
- Protection class: IP68
- Water temperature: 0-40°C
- PH value: 6-10
- Medium density: $\leq 1.3\text{g/cm}^3$
- Power supply: Single-phase 380V $\pm 10\%$, 50Hz
Three-phase 380V $\pm 10\%$, 50Hz
- Thermal Protector: Built-in
- Maximum flow 45m³/h
- Maximum distance: 36m
- Cable length: 8m

Application conditions

- Wastewater discharge in factories, shopping malls, hospitals, hotels
- Residential area, parking lot, municipal sewage, rainwater drainage
- Sewage discharge from sewage treatment plants and livestock farms
- Pumping of mud and grey water in construction sites and mines
- Clear water tank pumping for agriculture and aquaculture
- Wastewater discharge from biogas digesters
- Water supply and drainage in other occasions

Model Description



Structure and Features

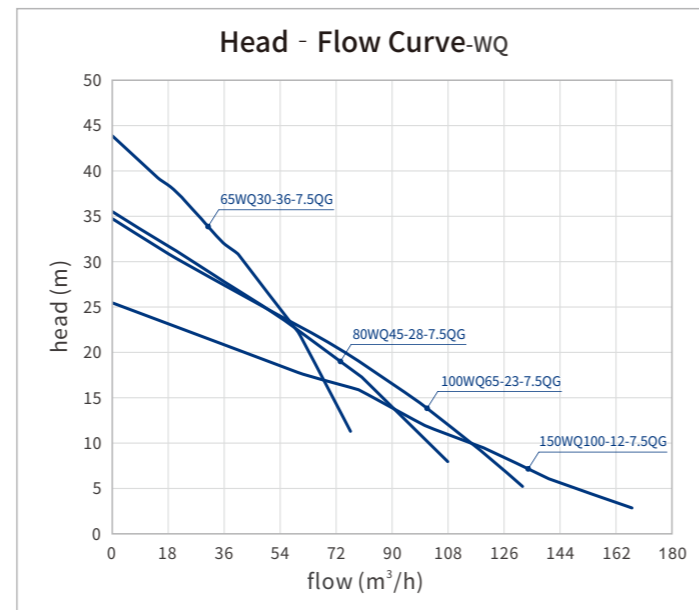
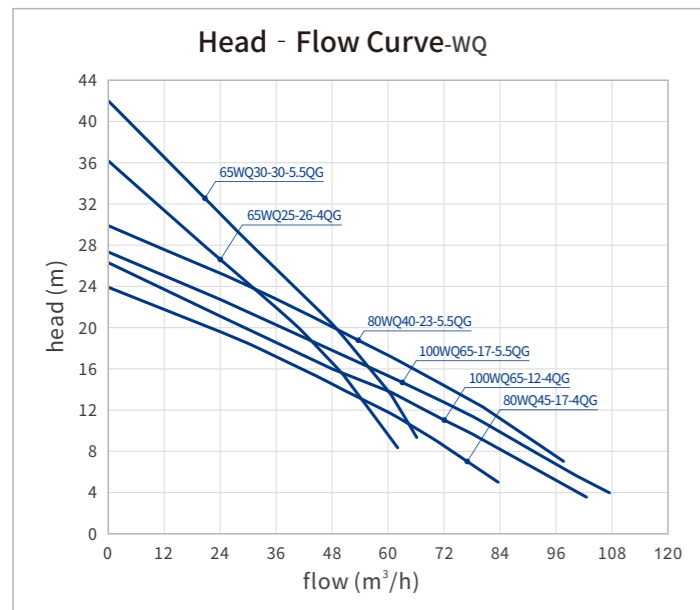
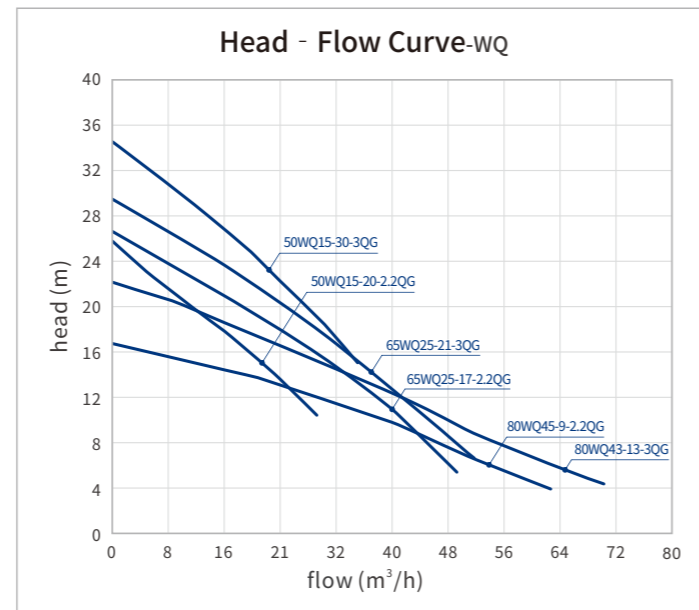
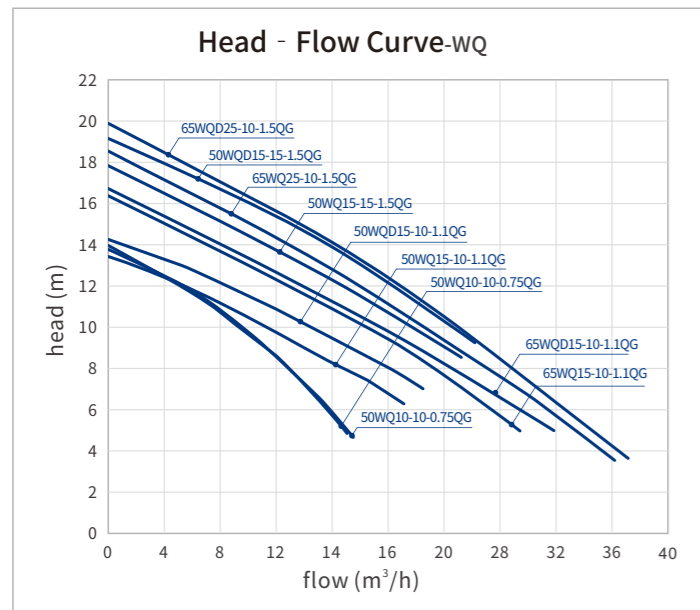
1. It adopts helical structure and impeller with sharp edge, and performs shearing action with the cutter head. The impeller adopts the backward angle of inclination, which can effectively prevent the blockage of the sewage pipeline. Through the rotation of the impeller, the dirt is sucked into the impeller and the cutter disc is cut, and sent out of the pump cavity to realize the non-clogging characteristic;
2. The overall structure is compact, the volume is small, the noise is low, the energy-saving effect is remarkable, and the maintenance is convenient. There is no need to build a pump room, and it can work by diving into the water, which greatly reduces the project cost;
3. The cable is filled with epoxy glue, which can effectively prevent the water vapor from entering the motor or the water entering the motor along the crack due to the cable being immersed in water;
4. The electric pump is equipped with a thermal protector, which can automatically disconnect the power supply to protect the motor in the event of phase loss, overload, and motor overheating of the electric pump;
5. The mechanical seal adopts reasonable hard and corrosion-resistant materials, which greatly improves the service life of the pump;
6. The "O" type oil-resistant rubber sealing ring is used for static sealing at each fixed stop;
7. The lifting rings and screws in contact with water are all made of stainless steel 304, which is conducive to the maintenance and disassembly of the electric pump;
8. The motor insulation grade is F, the designed output power has sufficient margin, and the whole series of electric pumps can run at full head.



WQ-QG

Cutting submersible sewage pump

0.75~7.5kW / 50Hz: 3000rpm



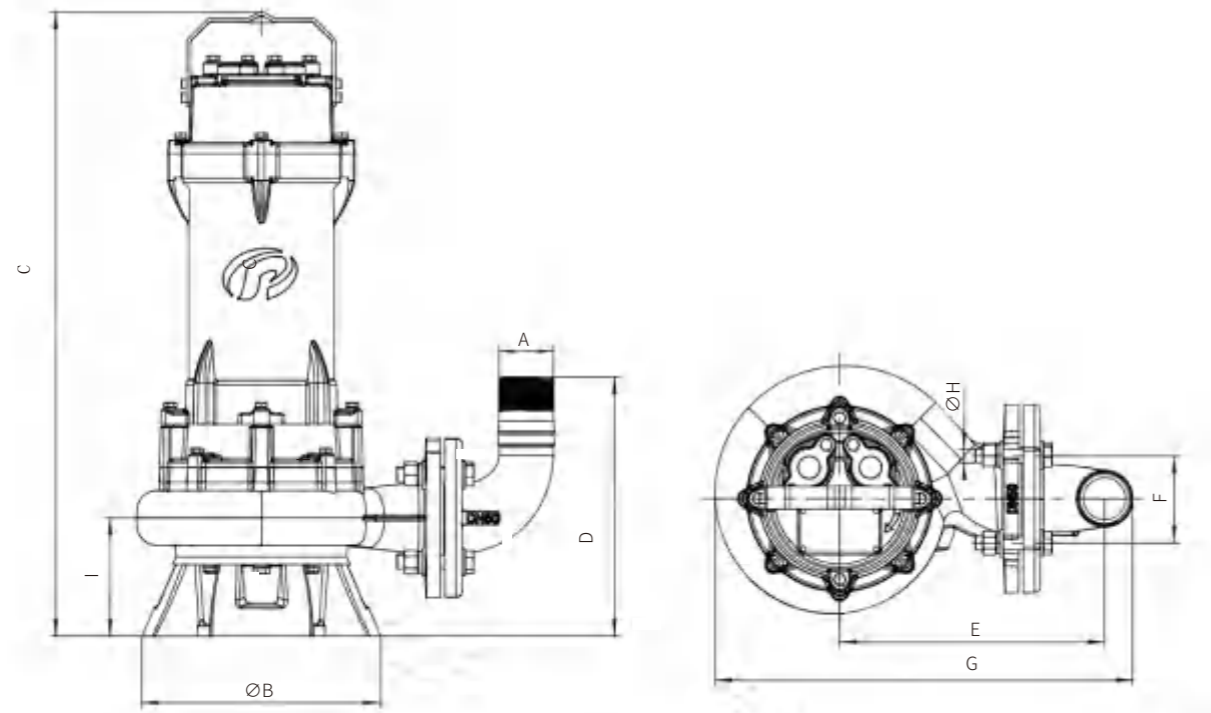
WQ-QG

Cutting submersible sewage pump

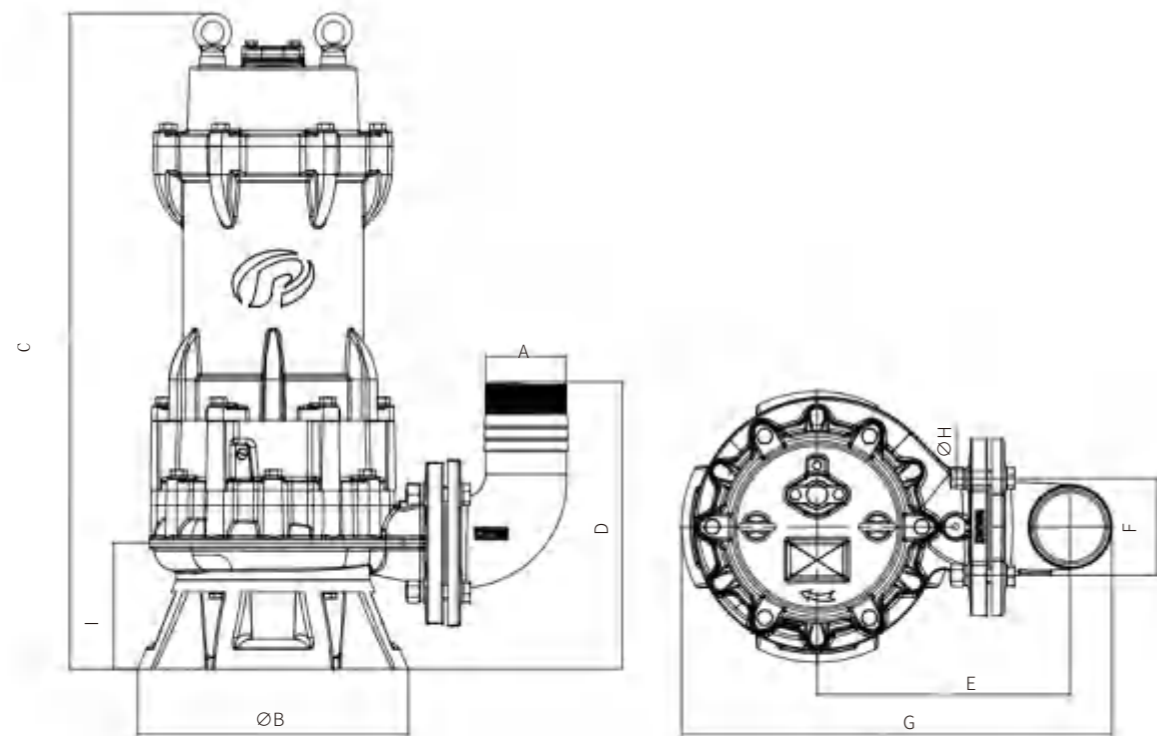
0.75~7.5kW / 50Hz: 3000rpm

DATA PARAMETER

Model	Voltage	Current	Power	DN	Rated flow	Rated head	Max flow	Max head	Particle size	Net weigh	Gross weight	Dimension
	V	A	kW	inch	m³/h	m	m³/h	m	mm	k9	k9	mm
50WQD10-10-0.75QG	220	4.6	0.75	G1½	10	10	17	14	25	26	31	600*365*290
50WQD15-10-1.1QG	220	6.4	1.1	G1½	15	10	22.5	14.5	25	28	33	600*365*290
65WQD15-10-1.1QG	380	6.4	1.1	G2	15	10	32.2	16.6	25	30	36	600*365*270
50WQD15-15-1.5QG	220	9.4	1.5	G1½	15	15	26.2	19.2	25	30	35	600*365*290
65WQD25-10-1.5QG	220	9.4	1.5	G2	25	10	37.1	19.9	25	31	37	600*365*290
50WQ10-10-0.75QG	220	1.8	0.75	G1½	10	10	17	14	25	27	32	600*365*290
50WQ15-10-1.1QG	380	2.5	1.1	G1½	15	10	21.1	13.5	25	29	34	600*365*290
65WQ15-10-1.1QG	380	2.5	1.1	G2	15	10	32.2	16.6	25	30	36	600*365*290
50WQ15-15-1.5QG	380	3.3	1.5	G1½	15	15	25.2	17.8	25	32	37	600*365*270
65WQD25-10-1.5QG	220	3.3	1.5	G2	25	10	36.2	18.5	25	33	39	600*365*290
50WQ15-20-2.2QG	380	4.7	2.2	G1½	15	20	29.2	25.8	20	39	53	640*360*270
50WQ15-30-3QG	380	6.1	3	G1½	15	30	35	34.6	20	43	57	680*360*270
65WQ25-17-2.2QG	380	4.7	2.2	G2	25	17	46.6	24	25	39	53	640*360*270
65WQ25-21-3QG	380	6.1	3	G2	25	21	51.8	29.5	25	43	57	680*360*270
80WQ45-9-2.2QG	380	4.7	2.2	G2½	45	9	62.7	16.7	30	42	55	640*380*280
80WQ43-13-3QG	380	6.1	3	G2½	43	13	70.2	22.1	30	46	59	700*380*300
65WQ25-26-4QG	380	7.8	4	G2	25	26	58	33	25	65	80	760*360*350
65WQ30-30-5.5QG	380	10.7	5.5	G2	30	30	65	36	25	70	84	800*360*350
80WQ45-17-4QG	380	7.8	4	G2½	45	17	81	24	25	70	87	760*410*350
80WQ40-23-5.5QG	380	10.7	5.5	G2½	40	23	90	36	25	75	91	800*410*350
100WQ65-12-4QG	380	7.8	4	G3½	65	12	93	24	25	73	93	760*410*350
100WQ65-17-5.5QG	380	10.7	5.5	G3½	65	17	110	25	25	78	98	800*410*350
65WQ30-36-7.5QG	380	15.7	7.5	G2	30	36	76.5	44	25	131	145	850*410*380
80WQ45-28-7.5QG	380	15.7	7.5	G2½	45	28	108	35.5	30	134	148	860*420*380
100WQ65-23-7.5QG	380	15.7	7.5	G3½	65	23	110	34	35	137	150	860*420*380
150WQ100-12-7.5QG	380	15.7	7.5	/	100	12	160	20	40	149	163	880*450*390



(figure 1)



(figure 2)

WQ-QG

Cutting submersible sewage pump

0.75~7.5kW / 50Hz: 3000rpm

INSTALLATION SIZE DATA PARAMETERS

table 1

Model	A inch	B mm	C mm	D mm	E mm	F mm	G mm	H mm	I mm
50WQD10-10-0.75QG	G $\frac{1}{2}$	210	496	218	191.5	76.5	311.5	12	94
50WQD15-10-1.1QG	G $\frac{1}{2}$	210	547.5	227	233	76.5	367.5	12	103
65WQD15-10-1.1QG	G2	210	547.5	259	246.5	92	388.5	12	103
50WQD15-15-1.5QG	G $\frac{1}{2}$	210	547.5	227	233	76.5	367.5	12	103
65WQD25-10-1.5QG	G2	210	547.5	259	246.5	92	388.5	12	103
50WQ10-10-0.75QG	G $\frac{1}{2}$	210	547.5	218	191.5	76.5	311.5	12	103
50WQ15-10-1.1QG	G $\frac{1}{2}$	210	496	227	233	76.5	367.5	12	94
65WQ15-10-1.1QG	G2	210	547.5	259	246.5	92	388.5	12	103
50WQ15-15-1.5QG	G $\frac{1}{2}$	210	547.5	227	233	76.5	367.5	12	103
50WQ9-22-2.2QG	G $\frac{1}{2}$	238	583	239	228	76.5	370	12	114
50WQ15-20-2.2QG	G $\frac{1}{2}$	238	583	239	228	76.5	370	12	114
50WQ15-30-3QG	G $\frac{1}{2}$	238	618	239	228	76.5	370	12	114
65WQ25-10-1.5QG	G2	210	547.5	259	246.5	92	388.5	12	103
65WQ25-17-2.2QG	G2	238	584	271	228	92	378	12	115
65WQ25-21-3QG	G2	238	619	271	228	92	378	12	115
65WQ25-26-4QG	G2	302	690.5	296	261.5	92	444.5	12	140
65WQ30-30-5.5QG	G2	302	730.5	296	261.5	92	444.5	12	140
65WQ30-36-7.5QG	G2	336	803.5	306	278	92	479	12	150
80WQ45-9-2.2QG	G $\frac{1}{2}$	238	595	295	265	106	422	16	119
80WQ43-13-3QG	G $\frac{1}{2}$	238	628	295	265	106	422	16	119
80WQ45-17-4QG	G $\frac{1}{2}$	302	703	320	296	106	485	16	144
80WQ40-23-5.5QG	G $\frac{1}{2}$	302	743	320	296	106	485	16	144
80WQ45-28-7.5QG	G $\frac{1}{2}$	336	811	330	296	106	502	16	155
100WQ65-12-4QG	G $\frac{1}{2}$	302	704.5	344.5	314	120	517	16	144.5
100WQ65-17-5.5QG	G $\frac{1}{2}$	302	744.5	344.5	314	120	517	16	144.5
100WQ65-23-7.5QG	G $\frac{1}{2}$	336	812	354.5	314	120	534	16	155
150WQ100-12-7.5QG	/	336	836.5	404.5	380	208	623	16	164.5



JYWIQ

STIRRED SEWAGE SUBMERSIBLE PUMP



JYWQ

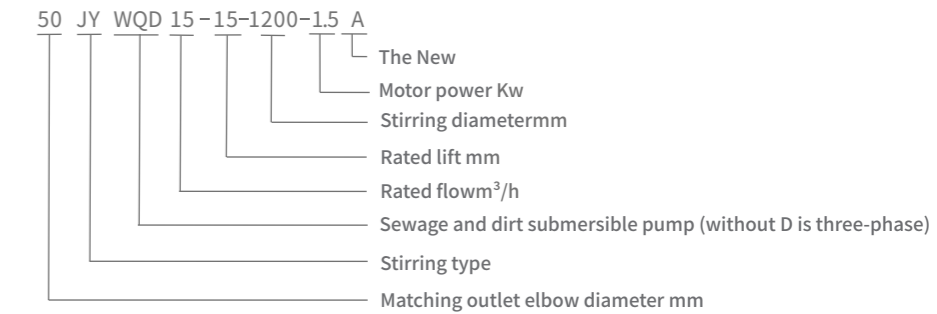
Stirred sewage submersible pump

0.75 ~ 7.5kW/50Hz: 3000rpm

Conditions of Use

Water temperature: 0-40C
 PH value: 6~10
 Medium density: ≤1.3g/cm
 Power supply: single-phase 220V±10%, 50Hz
 Three-phase 380V±10%, 50Hz
 Thermal protector: built-in
 Maximum flow: 149.2
 Maximum lift: 55.5m
 Cable length: 8 meters

Model Description

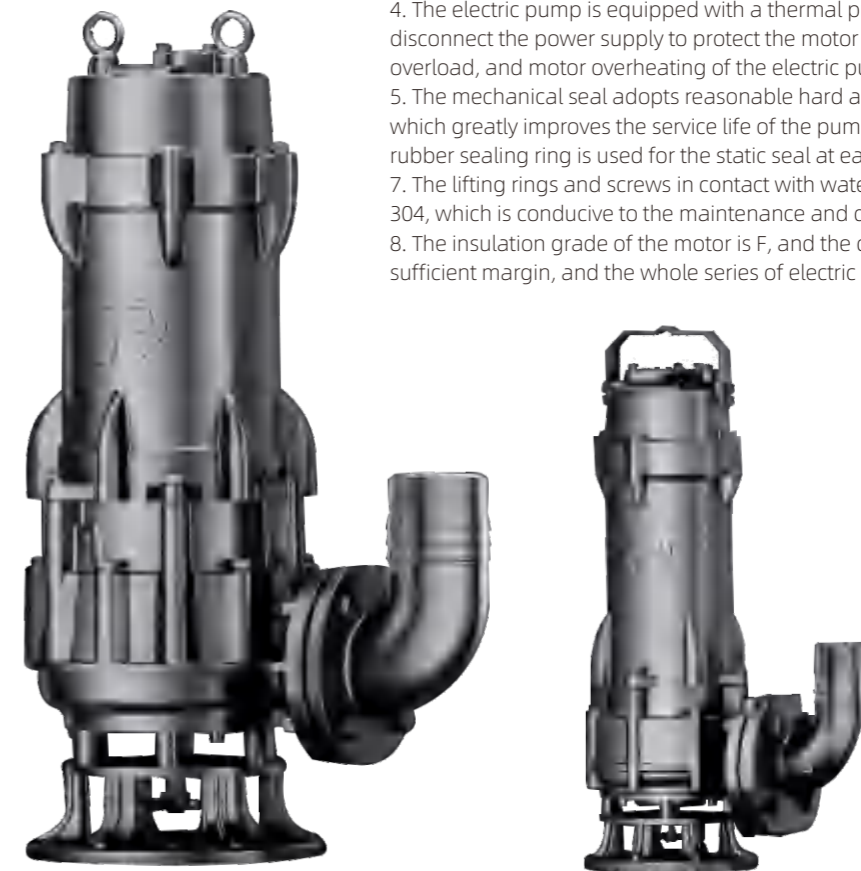


Application conditions

Wastewater discharge in factories, shopping malls, hospitals, hotels
 Residential area, parking lot, municipal sewage, rainwater drainage
 Sewage discharge from sewage treatment plants and livestock farms
 Pumping of mud and grey water in construction sites and mines
 Clear water tank pumping for agriculture and aquaculture
 Wastewater discharge from biogas digesters
 Water supply and drainage in other occasions

Structure and Features

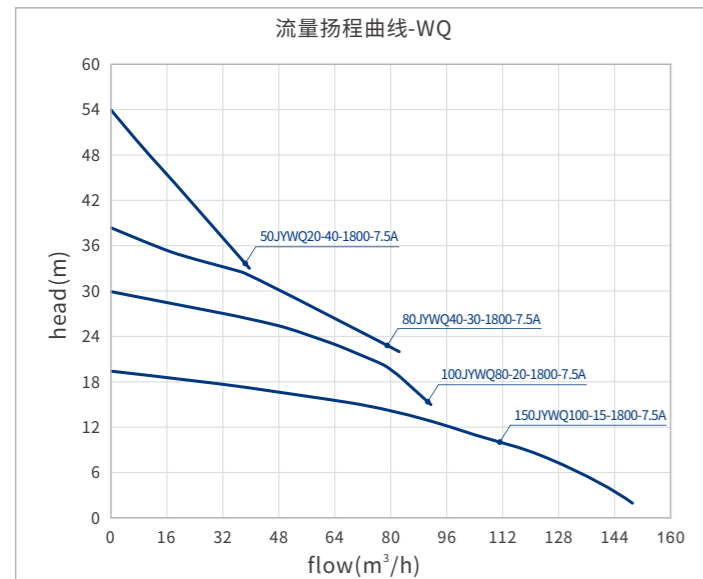
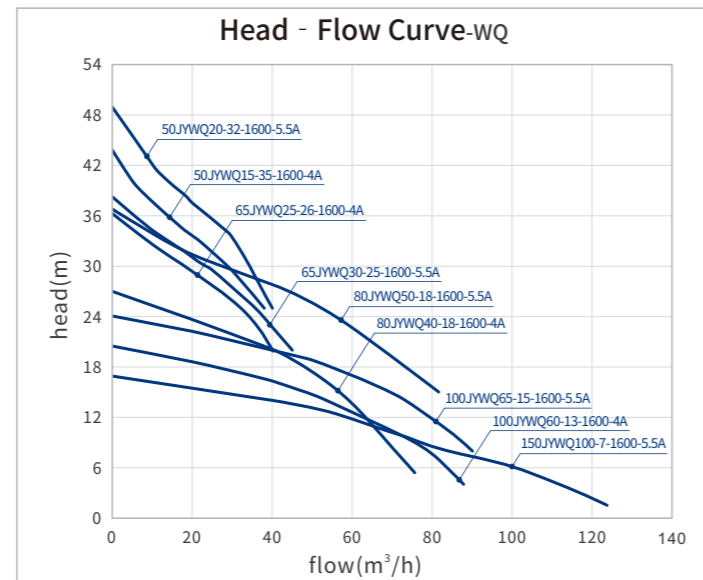
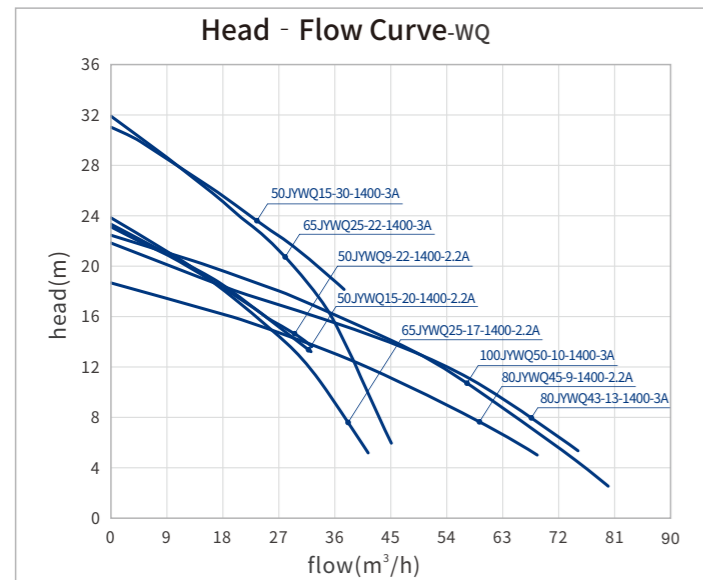
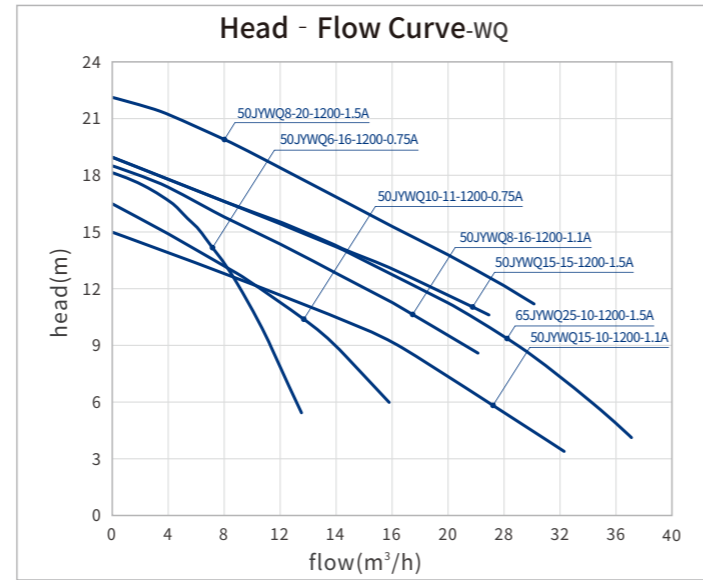
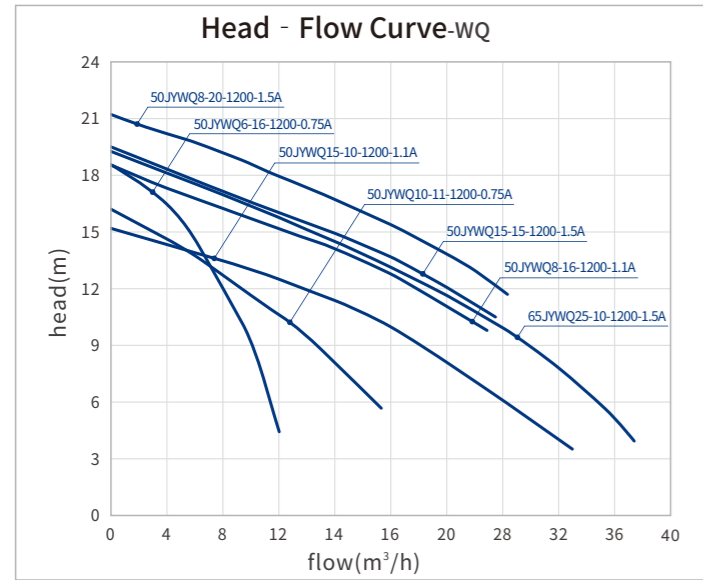
1. JYWQ stirring sewage and sewage submersible electric pump consists of three parts: water pump, seal and motor. The water pump is located in the lower part, and the base is equipped with a stirring impeller, which can generate a strong stirring force during operation. The sediment in the pool is stirred into a suspended substance and then sucked into the impeller to discharge, so as to achieve the effect of dredging;
2. The overall structure is compact, small in size, and noise. Small size, significant energy-saving effect, easy maintenance, no need to build a pump room, can work by diving into the water, greatly reducing the project cost;
3. The cable is filled with epoxy glue, which can effectively prevent moisture from entering the motor or due to cable breakage. Immersion in water causes water to enter the motor along the crack;
4. The electric pump is equipped with a thermal protector, which can automatically disconnect the power supply to protect the motor in the event of phase loss, overload, and motor overheating of the electric pump;
5. The mechanical seal adopts reasonable hard and corrosion-resistant materials, which greatly improves the service life of the pump;
6. The "O" type oil-resistant rubber sealing ring is used for the static seal at each fixed stop;
7. The lifting rings and screws in contact with water are all made of stainless steel 304, which is conducive to the maintenance and disassembly of the electric pump;
8. The insulation grade of the motor is F, and the designed output power has sufficient margin, and the whole series of electric pumps can run at the full head.



JYWQ

Stirred sewage submersible pump

0.75 ~ 7.5kW/50Hz: 3000rpm



JYWQ

Stirred sewage submersible pump

0.75 ~ 7.5kW/50Hz: 3000rpm

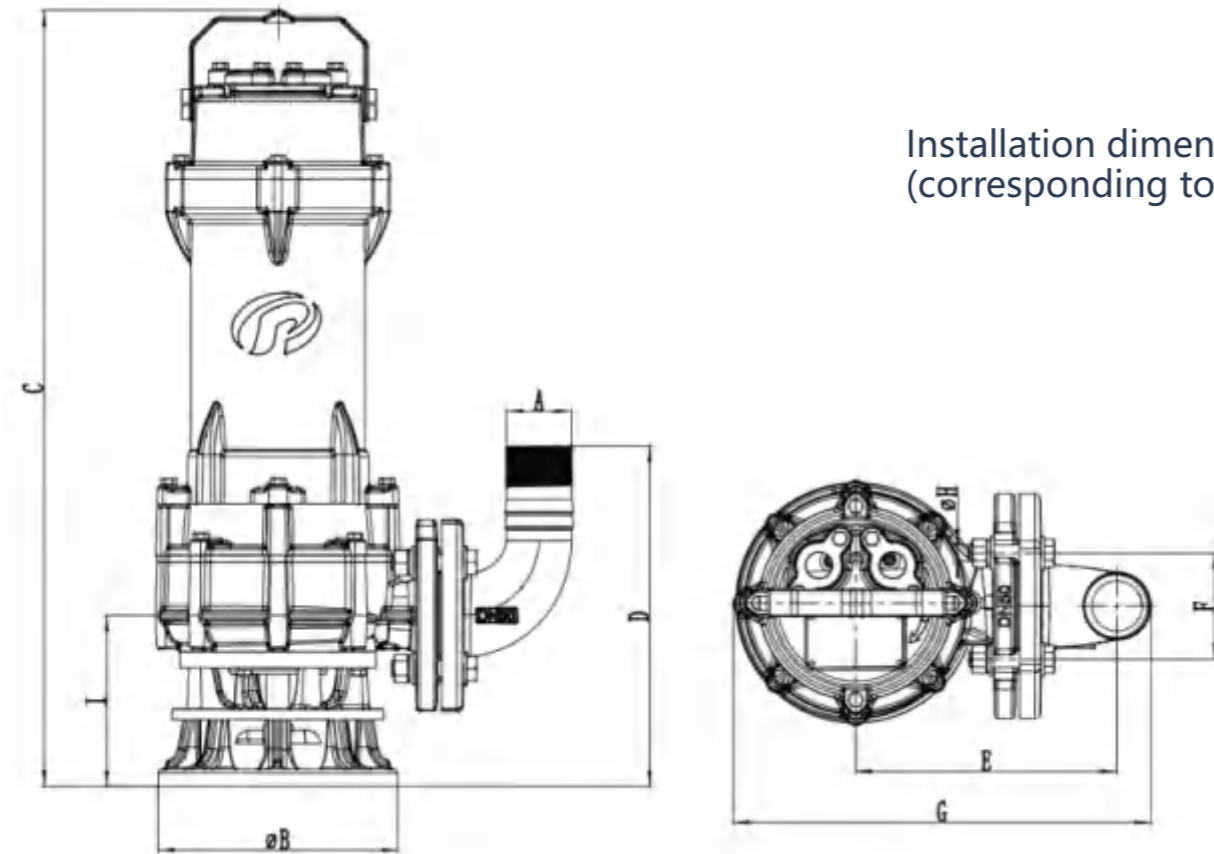
DATA PARAMETER

Model	Voltage	Current	Power	DN	Rated flow	Rated head	Max flow	Max head	Particle size	Net weigh	Gross weight	Dimension
	V	A	Kw	inch	m³/h	m	m³/h	m	mm	kg	kg	mm
50JYWQD6-16-1200-0.75A	220	4.6	0.75	G1 1/2	6	16	14.8	19.1	5	31	32	590*270*230
50JYWQ6-16-1200-0.75A	380	4.6	0.75	G1 1/2	6	16	21.1	17.8	15	29	31	590*270*230
50JYWQD10-11-1200-0.75A	220	1.8	0.75	G1 1/2	10	11	14.8	19.1	5	31	32	590*270*230
50JYWQ10-11-1200-0.75A	380	1.8	0.75	G1 1/2	10	11	21.1	17.8	15	29	31	590*270*230
50JYWQD8-16-1200-1.1A	220	6.4	1.1	G1 1/2	8	16	26.1	18.5	15	31	33	620*260*230
50JYWQ8-16-1200-1.1A	380	6.4	1.1	G1 1/2	8	16	30.8	14.3	15	30	32	620*260*230
50JYWQD15-10-1200-1.1A	220	9.4	1.1	G1 1/2	15	10	30.1	22.1	20	31	33	620*260*230
50JYWQ15-10-1200-1.1A	380	9.4	1.1	G1 1/2	15	10	27.9	19.1	20	30	32	620*260*230
50JYWQD8-20-1200-1.5A	220	9.4	1.5	G1 1/2	8	20	35.1	19.1	25	32	33	620*260*230
50JYWQ8-20-1200-1.5A	380	2.5	1.1	G1 1/2	8	20	26.1	18.5	15	31	33	620*260*230
50JYWQD15-15-1200-1.5A	220	2.5	1.1	G1 1/2	15	15	30.8	14.3	15	33	35	620*260*230
50JYWQ15-15-1200-1.5A	380	3.3	1.5	G1 1/2	15	15	30.1	22.1	20	32	33	620*260*230
65JYWQD25-10-1200-1.5A	220	3.3	1.5	G2	25	10	27.9	19.1	20	35	37	620*260*230
65JYWQ25-10-1200-1.5A	380	3.3	1.5	G2	25	10	35.1	19.1	25	34	35	620*260*230
50JYWQ9-22-1400-2.2A	220	4.7	2.2	G1 1/2	9	22	30.2	22.1	20	44	55	670*360*270
50JYWQ15-20-1400-2.2A	380	4.7	2.2	G1 1/2	15	20	30.2	22.1	20	44	55	670*360*270
65JYWQ25-17-1400-2.2A	380	4.7	2.2	G2	25	17	43.8	24.6	25	47	54	670*360*270
80JYWQ45-9-1400-2.2A	380	4.7	2.2	G2 1/2	45	9	66.2	17.5	30	51	58	670*380*280
50JYWQ15-30-1400-3A	380	6.1	3	G1 1/2	15	30	38.5	31.6	20	49	60	710*360*270
65JYWQ25-22-1400-3A	380	6.1	3	G2	25	22	47.3	28.4	25	51	63	710*360*270
80JYWQ43-13-1400-3A	380	6.1	3	G2 1/2	43	13	74.7	22.7	30	56	63	730*380*300
100JYWQ50-10-1400-3A	380	6.1	3	G3 1/2	50	10	79.9	22.4	30	56	67	730*380*300
50JYWQ15-35-1600-4A	380	7.8	4	G1 1/2	15	35	45.8	239.3	20	69	79	790*330*310
65JYWQ25-26-1600-4A	380	7.8	4	G2	25	26	36.3	36.8	25	68	79	790*330*310
80JYWQ40-18-1600-4A	380	7.8	4	G2 1/2	40	18	77.2	27.2	30	68	79	800*380*360
100JYWQ60-13-1600-4A	380	7.8	4	G3 1/2	60	13	78.2	21.6	30	78	90	830*380*360
50JYWQ20-32-1600-5.5A	380	10.7	5.5	G1 1/2	20	32	47.3	43.6	20	74	80	810*350*310
65JYWQ30-25-1600-5.5A	380	10.7	5.5	G2	30	25	36.8	39.5	25	73	83	810*350*310
80JYWQ50-18-1600-5.5A	380	10.7	5.5	G2 1/2	50	18	82.5	34.1	25	76	86	830*350*310
100JYWQ65-15-1600-5.5A	380	10.7	5.5	G3 1/2	65	15	89.2	15.8	35	83	95	850*440*380
150JYWQ100-7-1600-5.5A	380	10.7	5.5	/	100	7	149.2	13.5	35	95	111	850*440*380
50JYWQ20-40-1800-7.5A	380	14.2	7.5	G1 1/2	20	40	37.5	55.5	20	134	146	895*440*370
65JYWQ30-36-1800-7.5A	380	14.2	7.5	G2	30	36	82.1	39.8	25	134	148	895*440*370
80JYWQ40-30-1800-7.5A	380	14.2	7.5	G2 1/2	40	30	89.2	39.1	30	136	150	895*460*370
100JYWQ80-20-1800-7.5A	380	14.2	7.5	G3 1/2	80	20	92.8	30.2	30	141	154	895*460*370
150JYWQ100-15-1800-7.5A	380	14.2	7.5	/	100	15	106.3	23.5	30	152	166	925*520*370

JYWQ

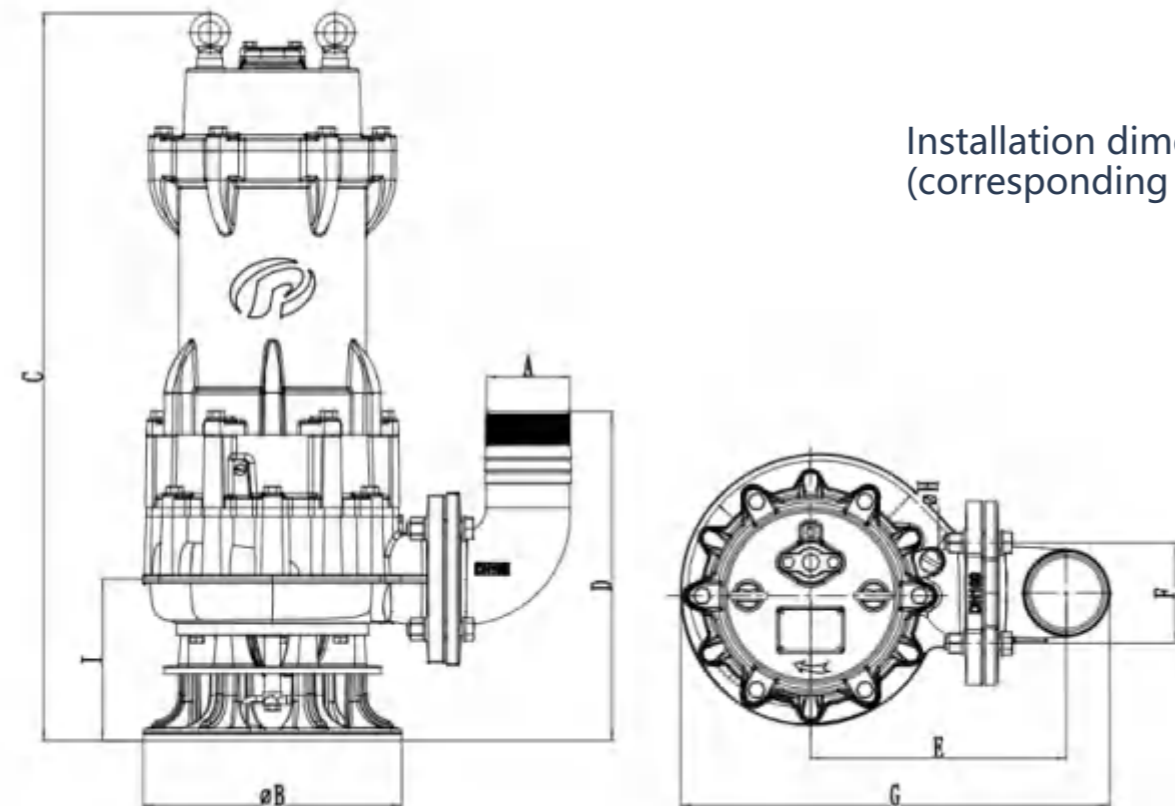
Stirred sewage submersible pump

0.75 ~ 7.5kW/50Hz: 3000rpm



Installation dimension drawing 1
(corresponding to Table 1)

(figure 1)



Installation dimension drawing 2
(corresponding to Table 2)

(figure 2)

INSTALLATION SIZE DATA PARAMETERS

Table 1

Model	A inch	B mm	C mm	D mm	E mm	F mm	G mm	H mm	I mm
50JYWQD6-16-1200-0.75A	G1 ¹ / ₂	176	538	250	186	71	299	12	127
50JYWQ6-16-1200-0.75A	G1 ¹ / ₂	176	538	250	186	71	299	12	127
50JYWQD10-11-1200-0.75A	G1 ¹ / ₂	176	538	250	208	76.5	321	12	127
50JYWQD10-11-1200-0.75A	G1 ¹ / ₂	176	538	250	208	76.5	321	12	127
50JYWQD8-16-1200-1.1A	G1 ¹ / ₂	176	568	250	193	76.5	306	12	165
50JYWQ8-16-1200-1.1A	G1 ¹ / ₂	176	568	250	193	76.5	306	12	165
50JYWQD15-10-1200-1.1A	G1 ¹ / ₂	176	568	250	193	76.5	306	12	165
50JYWQ15-10-1200-1.1A	G1 ¹ / ₂	176	568	250	193	76.5	306	12	165
50JYWQD8-20-1200-1.5A	G1 ¹ / ₂	176	568	250	193	76.5	306	12	165
50JYWQ8-20-1200-1.5A	G1 ¹ / ₂	176	568	250	193	76.5	306	12	165
50JYWQD15-15-1200-1.5A	G1 ¹ / ₂	176	568	250	205	92	326	12	165
50JYWQ15-15-1200-1.5A	G1 ¹ / ₂	176	568	250	205	92	326	12	165
65JYWQD25-10-1200-1.5A	G2	176	568	282	205	92	326	12	165
65JYWQ25-10-1200-1.5A	G2	176	568	282	205	92	326	12	165

INSTALLATION SIZE DATA PARAMETERS

Table 2

Model	A inch	B mm	C mm	D mm	E mm	F mm	G mm	H mm	I mm
50JYWQ9-22-1400-2.2A	G1 ¹ / ₂	220	630	268	240	78	375	12	130
50JYWQ15-20-1400-2.2A	G1 ¹ / ₂	220	630	268	240	78	375	12	130
50JYWQ15-30-1400-3A	G1 ¹ / ₂	220	665	268	240	78	375	12	130
50JYWQ15-35-1600-4A	G1 ¹ / ₂	260	717	291.5	257	78	411	12	168
50JYWQ20-32-1600-5.5A	G1 ¹ / ₂	260	782	291.5	257	78	411	12	168
50JYWQ20-40-1800-7.5A	G1 ¹ / ₂	310	844	305	270.2	78	450	12	176
65JYWQ25-17-1400-2.2A	G2	220	632	303	225	92	362	12	147
65JYWQ25-22-1400-3A	G2	220	667	303	225	92	362	12	147
65JYWQ25-26-1600-4A	G2	260	736	320	257	92	419	12	162
65JYWQ30-25-1600-5.5A	G2	260	776	320	257	92	419	12	162
65JYWQ30-36-1800-7.5A	G2	310	845	351	265	121	423	16	175
80JYWQ45-9-1400-2.2A	G2 ¹ / ₂	220	653	330	250	106	394	16	153
80JYWQ43-13-1400-3A	G2 ¹ / ₂	220	688	330	250	106	394	16	153
80JYWQ40-18-1600-4A	G2 ¹ / ₂	260	737	336	269.5	106	437.5	16	160
80JYWQ50-18-1600-5.5A	G2 ¹ / ₂	260	775	336	269.5	106	437.5	16	160
80JYWQ40-30-1800-7.5A	G2 ¹ / ₂	310	845	351	265	121	423	16	175
100JYWQ60-9-1400-3A	G3	220	688	353	293.5	121	498.5	16	160
100JYWQ60-13-1600-4A	G3	260	769	358	299.5	121	502	16	183
100JYWQ65-15-1600-5.5A	G3	260	809	358	299.5	121	502	16	183
100JYWQ80-20-1800-7.5A	G3	260	809	358	299.5	121	502	16	183
150JYWQ100-7-1600-5.5A	/	260	815	425	340	208	265	16	185
150JYWQ100-15-1800-7.5A	/	310	875	432	363	208	591	16	197

PIPELINE HEAD LOSS TABLE

Selection of pumps and pipes:

1. Head: The head marked on the pump nameplate is the value without deducting the frictional resistance loss of the pipeline. When calculating the field head, we should measure the vertical height from the water surface at the lowest water level of the well to the highest point of the outlet pipeline (when the water level of the water tower is higher than the highest point of the pipeline, it is calculated according to the highest water level of the water tower), plus the head loss caused by the pipeline, and then select a suitable pump.

2. Piping inner diameter: The hydraulic loss of the pipeline is related to the inner diameter, length and inner wall roughness of the pipeline. The thinner the pipe diameter, the longer the pipeline and the coarser the inner wall, the greater the hydraulic loss of the pipeline. The inner diameter of the piping of the pump is designed according to the flow, flow rate and other parameters. When in use, increasing the pipe diameter will increase the cost, and changing the small pipe diameter will increase the head loss.

DATA PARAMETER

PC% PER HUNDRED METERS OF NEW CAST IRON PIPE HEAD LOSS (m)

Flow m ³ /h	Pc%	Inner diameter of pipes (mm)														
		25	32	40	50	65	80	100	125	150	200	250	300	350	400	450
1	Pc%	2.1														
1.5	Pc%	4.6	1.2													
3	Pc%	17	6													
6	Pc%		24	1.6	0.54											
9	Pc%			6	2	0.6										
12	Pc%			12.5	4.3	1.1	0.46									
15	Pc%			20	7	2	0.7									
18	Pc%				12	2.9	1.25									
21	Pc%				17	4	1.7	0.6								
24	Pc%				22	4.8	2.2	0.75								
27	Pc%					6.6	3	1	0.36							
30	Pc%					8	3.5	1.25	0.42							
36	Pc%					9.5	4.2	1.5	0.5							
42	Pc%					14	6.3	2	0.75							
48	Pc%						8.5	2.7	0.85	0.45						
60	Pc%						10	3.6	1.2	0.7						
75	Pc%						16	5.5	1.8	1	0.24					
90	Pc%						24	8	2.76	1.45	0.36					
120	Pc%							12.5	3.8	2.6	0.6					
150	Pc%							21.5	6.9	4	0.95	0.3				
180	Pc%								11	5.5	1.3	0.43	0.18			
210	Pc%								15.2	7.4	1.8	0.6	0.24			
240	Pc%									9.4	2.3	0.75	0.3			
300	Pc%								21		3.4	1.1	0.46			
360	Pc%									14		4.7	1.6	0.65		
480	Pc%										8.5	2.9	1.9	0.2		
600	Pc%										12.2	4.3	1.7	0.9		
720	Pc%											10	6	3.8	2.5	1.3
840	Pc%												8	5.4	3.4	1.7

PIPELINE HEAD LOSS TABLE

Pressure Loss of Other Pipes Approximate calculation algorithm of pipe pressure loss

Bottom valve	Approximate 15m pipe length
Check valve	Approximate 10m pipe length
On-off valve	Approximate 5m pipe length
Elbow and bends	Approximate 5m pipe length

Multiply the value of the cast iron pipe by the following factors

PVC pipes	0.76
Tinned pipes	1.17
Mildly rusted pipes	2.10
Severely fouled pipes	3.60

APPROXIMATE CALCULATION ALGORITHM FOR PIPE PRESSURE LOSS

Bottom valve	Approximate 15m pipe length
Check valve	Approximate 10m pipe length
On-off valve	Approximate 5m pipe length
Elbow and bends	Approximate 5m pipe length

DATA PARAMETER

CABLE ADAPTION TABLE

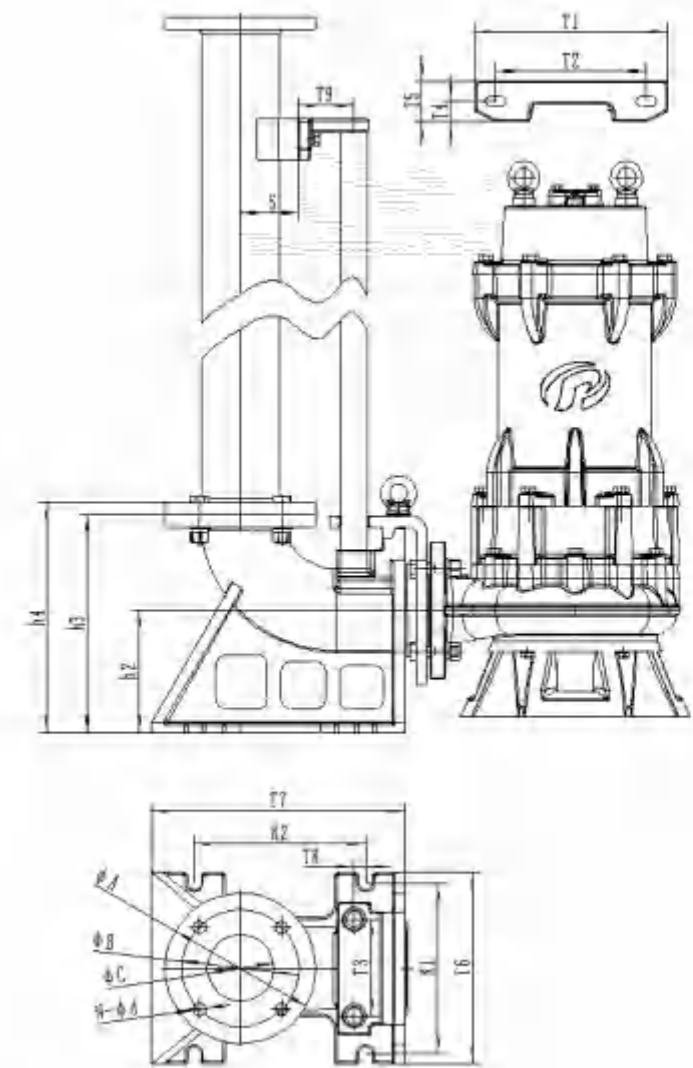
Cable extension length (m)	50	100	150	200	250	300
Rated power of electric pump (kW)	Recommended cable size (mm ²)					
Single-phase0.75	≥1	≥1.5	≥2	≥2.5	≥4	≥4
Single-phase1.1	≥1.5	≥2	≥2.5	≥4	≥4	≥4
Single-phase1.5	≥2	≥2.5	≥4	≥4	≥4	≥6
Three-phase0.75	≥1	≥1.5	≥2	≥2.5	≥4	≥4
Three-phase1.1	≥1	≥1.5	≥2	≥2.5	≥4	≥4
Three-phase1.5	≥1	≥1.5	≥2	≥2.5	≥4	≥4
Three-phase2.2	≥1.5	≥2	≥2.5	≥4	≥4	≥4
Three-phase3	≥2	≥2.5	≥4	≥4	≥4	≥6
Three-phase4	≥2.5	≥4	≥4	≥4	≥6	≥6
Three-phase5.5	≥4	≥4	≥4	≥6	≥6	≥6
Three-phase7.5	≥4	≥4	≥6	≥6	≥6	≥6
Three-phase11	≥6	≥6	≥8	≥8	≥10	≥10
Three-phase15	≥8	≥8	≥10	≥10	≥16	≥16
Three-phase18.5	≥10	≥10	≥16	≥16	≥25	≥25
Three-phase22	≥16	≥16	≥25	≥25	≥25	≥25



COUPLER

The flange of the electric pump conforms to the ISO7005-92 standard.

Sewage pumps with standard flanges can be connected directly to this coupler unit.



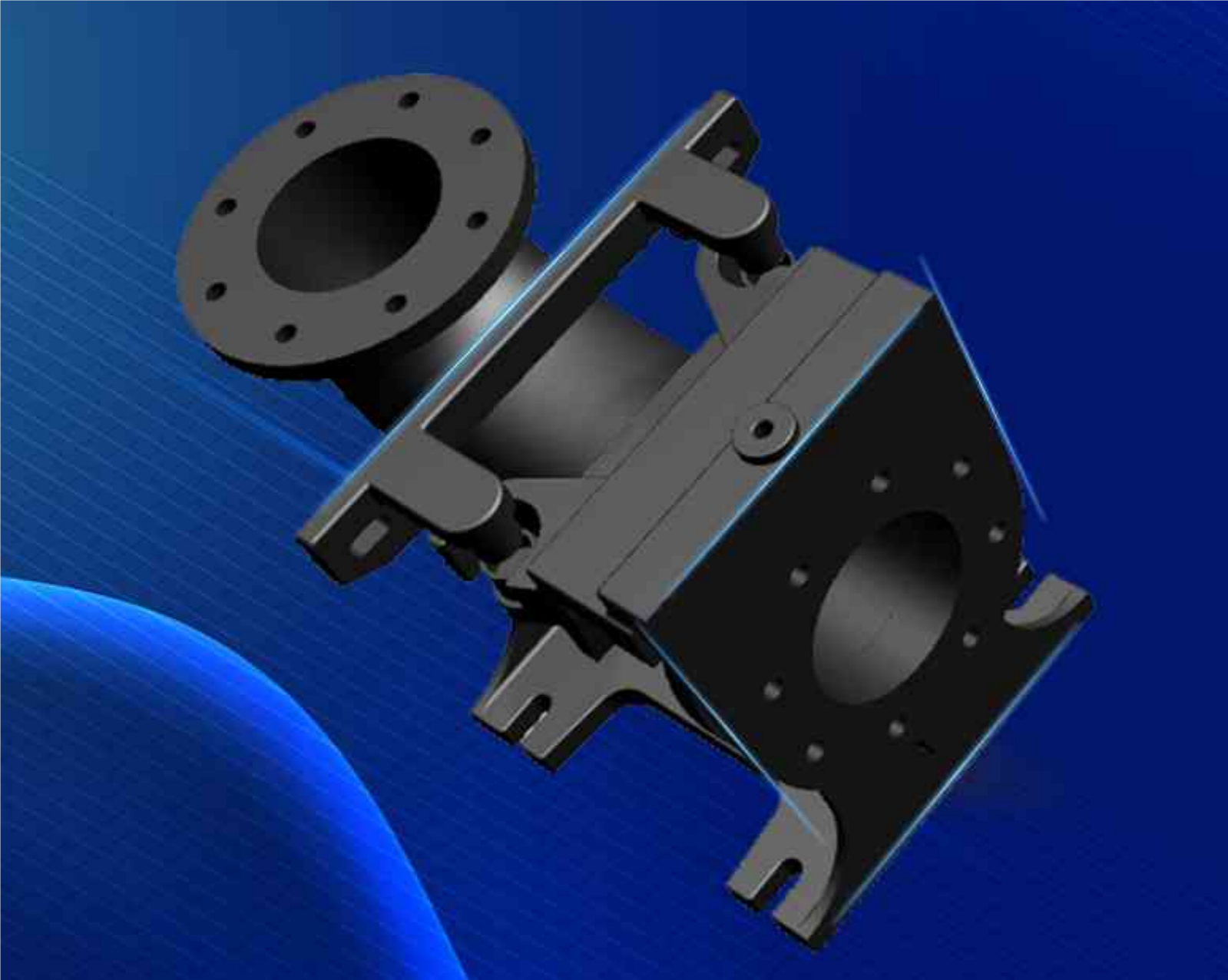
ACCESSORIES

- Coupler seat
- Coupler block
- Upper guide rod frame
- Internal thread flange ($\leq 4''$)
(excluding guide rod, expansion screw, chain assembly and other components)

DATA PARAMETER

Model	ϕA	ϕB	ϕC	N- ϕd	T1	T2	T3	T4	T5	T6	T7	T8	T9	K1	K2	S	h2	h3	h4
40-40(PN6)	$\phi 40/G1\frac{1}{2}''$	100	130	4- $\phi 14$	225	185	70	18	35	110	140	5	65	65	70	60	115	195	215
50-50(PN6)	$\phi 50/G2''$	110	140	4- $\phi 14$	265	215	105	25	42	200	215	15	67	165	135	63	160	250	280
65-65(PN6)	$\phi 65/G2\frac{1}{2}''$	130	160	4- $\phi 14$	280	230	125	30	50	230	235	20	70	190	155	90	165	265	295
80-80(PN6)	$\phi 80/G3''$	150	190	4- $\phi 18$	315	265	145	27	50	255	225	30	78	215	155	77	190	305	335
100-100(PN6)	$\phi 100/G4''$	170	210	4- $\phi 18$	365	305	170	32	55	295	260	35	95	265	175	100	230	350	380
150-150(PN6)	$\phi 150$	225	265	8- $\phi 18$	400	260	280	24	48	400	410	75	95	280	300	200	300	480	—
150-150(PN10)	$\phi 150$	240	280	8- $\phi 22$	400	260	280	24	48	400	410	75	95	280	300	200	300	480	—
200-200(PN10)	$\phi 200$	295	340	8- $\phi 22$	400	260	280	24	48	400	445	100	95	300	355	230	325	555	—
250-250(PN10)	$\phi 250$	350	395	12- $\phi 22$	400	260	280	24	48	460	555	110	95	360	430	290	315	630	—
300-300(PN10)	$\phi 300$	400	445	12- $\phi 22$	500	320	360	32	65	550	570	95	115	414	410	270	400	730	—
400-400(PN10)	$\phi 400$	515	565	16- $\phi 27$	520	340	375	32	65	620	660	100	115	495	525	365	480	960	—

※The couplers with outlet diameters of 150mm, 200mm, 250mm, 300mm and 400mm are not accompanied by flanges.



WEIGHT&DIMENSIONCHART

DATA PARAMETER

Model	Net weight Kg	Gross weight Kg	Package dimensions mm
40-40(PN6)	11	13	370*260*195
50-50(PN6)	17	19.5	380*320*245
65-65(PN6)	24	27	420*270*345
80-80(PN6)	31	34.5	440*290*395
100-100(PN6)	45	50	500*330*475
150-150(PN6)	96	119	700*440*660
150-150(PN10)	95	118	700*440*660
200-200(PN10)	125	142	770*440*700
250-250(PN10)	195	215	900*510*760
300-300(PN10)	285	313	920*620*890
400-400(PN10)	450	490	1130*670*1110

SIZE OF GUIDE ROD

DATA PARAMETER

Model	Specification	Guide rod Length
40-40(PN6)	1"/φ32*3	E3-150
50-50(PN6)	1"/φ32*3	E3-20
65-65(PN6)	1"/φ32*3	E3-10
80-80(PN6)	1½"/φ48*3	E3-20
100-100(PN6)	1½"/φ48*3	E3-20
150-150(PN6)	1½"/φ48*3	E3-410
150-150(PN10)	1½"/φ48*3	E3-410
200-200(PN10)	1½"/φ48*3	E3-460
250-250(PN10)	1½"/φ48*3	E3-480
300-300(PN10)	2"/φ60*3.5	E3-590
400-400(PN10)	2"/φ60*3.5	E3-790

COMPONENTS LIST (SELF PROVIDED)

DATA PARAMETER

Model	Coupler	Accessories		
		Anchor screw	Expansion screw	Chain assembly
TOPJ-01	40-40	4-M12*220	2-M10	φ4*5m
TOPJ-02	50-50 (≤1.5KW)	4-M12*220	2-M12	φ4*5m
TOPJ-03	50-50 (≥2.2KW),65-65,80-80	4-M16*220	2-M12	φ5*5m
TOPJ-04	100-100 (≤7.5KW)	4-M16*220	2-M12	φ5*5m
TOPJ-05	100-100 (≥11KW)	4-M20*220	3-M14	φ6*5m
TOPJ-06	150-150 (≤22KW)	4-M20*220	3-M14	φ6*5m
TOPJ-07	150-150(30`45KW)	4-M20*300	3-M14	φ8*5m
TOPJ-08	200-200 (≤22KW)	4-M24*300	3-M14	φ6*5m
TOPJ-08	250-250 (≤22KW)	4-M24*300	3-M14	φ6*5m
TOPJ-09	200-200(30`45KW)	4-M24*300	3-M14	φ8*5m
TOPJ-09	250`250(30`45KW)	4-M24*300	3-M14	φ8*5m
TOPJ-09	300-300(30`45KW)	4-M24*300	3-M14	φ8*5m
TOPJ-10	200-200(55`75KW)	4-M24*300	3-M14	φ10*5m
TOPJ-10	250-250(55`75KW)	4-M24*300	3-M14	φ10*5m
TOPJ-10	300-300(55`75KW)	4-M24*300	3-M14	φ10*5m
TOPJ-10	400-400(55`75KW)	4-M24*300	3-M14	φ10*5m